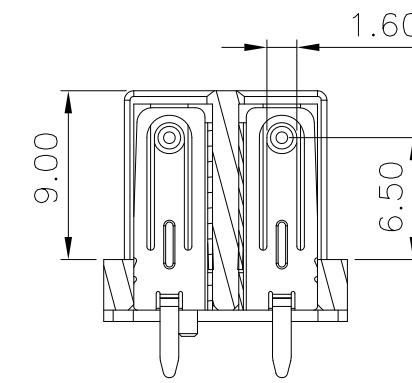
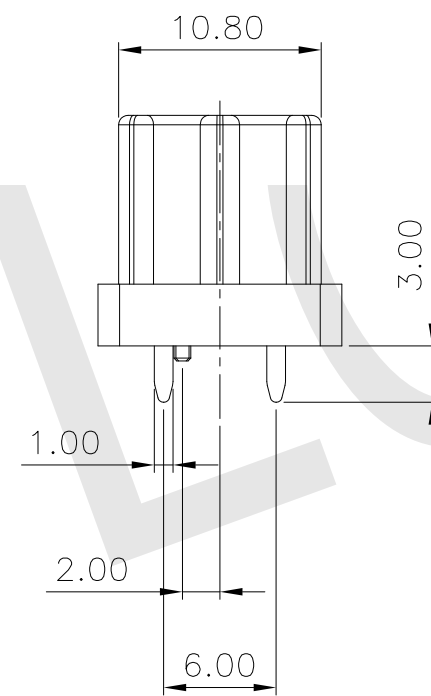
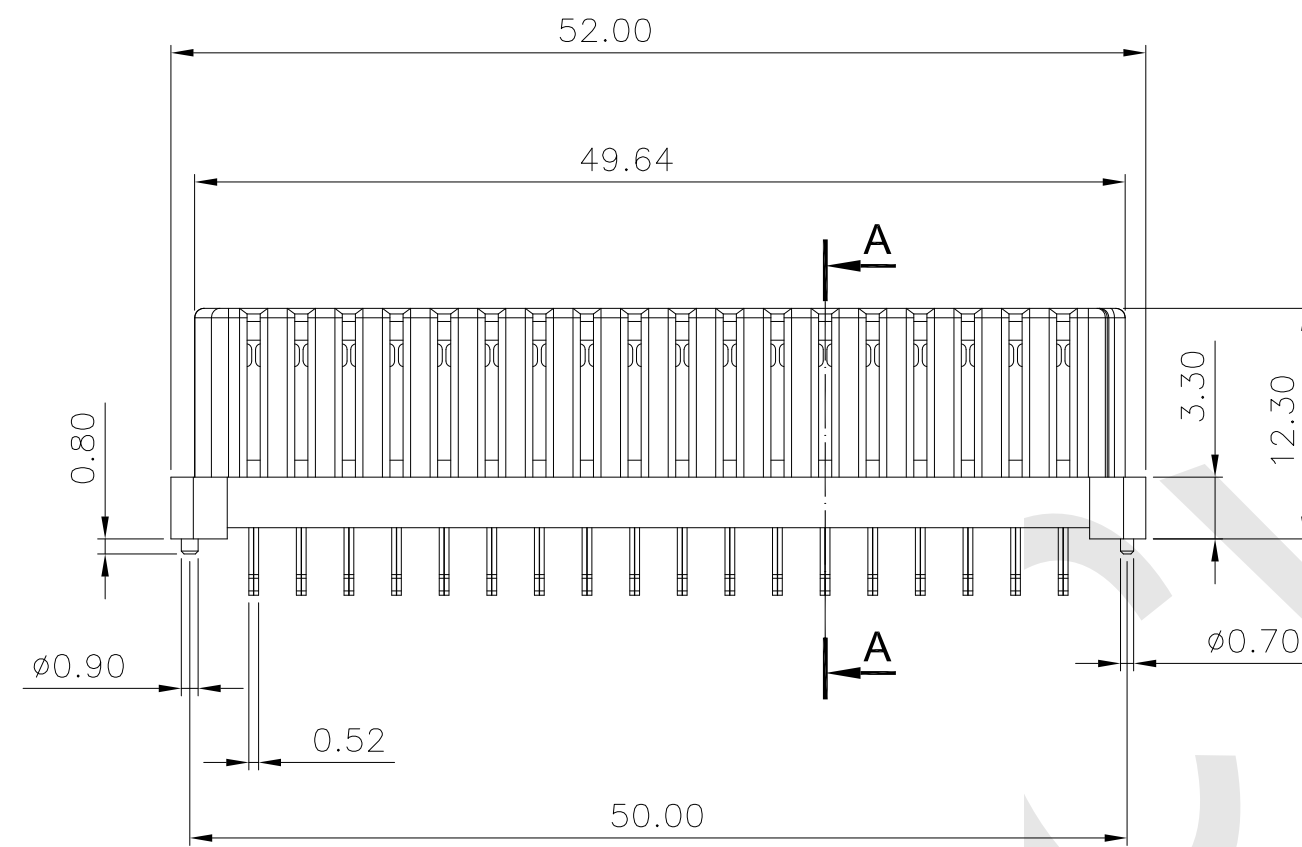
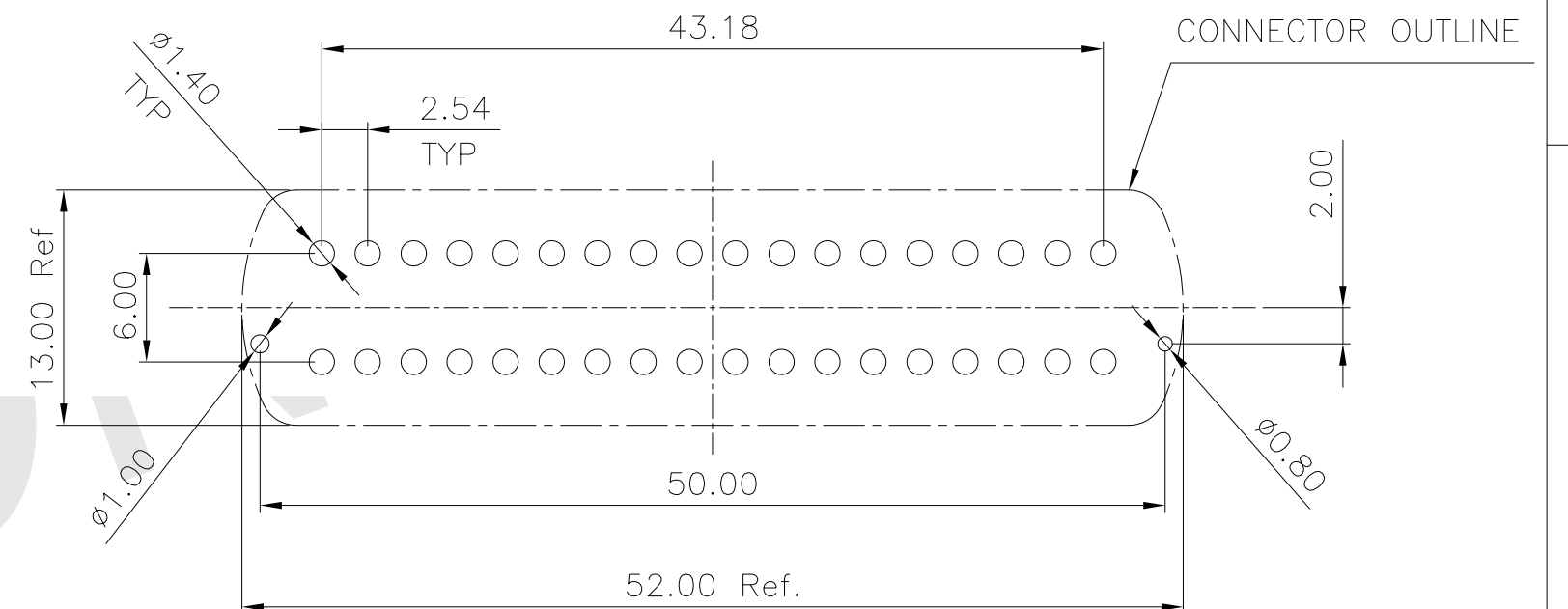


◆ 技术参数/Technical parameters

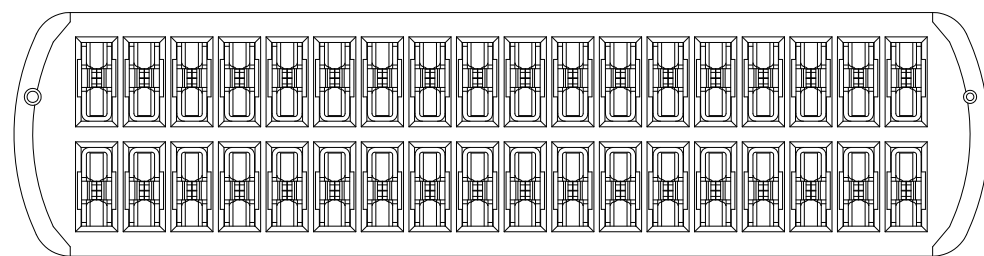
- 符合规范/Accord With Norm :EIA-364C
- 额定电流/Current Rating :5AMP
- 绝缘阻抗/Insulator Resistance :1000MΩ Min.
- 接触阻抗/Contact Resistance :20mΩ Max.
- 耐电压值/Voltage Resistance :AC 500V
- 工作温度/Operating Temperature :-40°C To +105°C
- 金属材料/Metallic Material :Phosphor bronze
- 金属处理/Metal Treatment :Ni50u" + Au2u" + Sn120u"
- 绝缘材料/Insulator Material :PA6T+30%GF UL94V-0
- 耐焊接热/Resistance To Soldering Heat :260° C ±5° C 10S MAX



SECTION A-A
1:1



TOLERANCE: ±0.05,
RECOMMENDED PCB LAYOUT
(TOP VIEW)



BTB254-218-XXX

PART NUMBER
(料号)

A	RELEASED	2017\04\07	AW	WK
LTR (版本)	DESCRIPTION (变更内容描述)	DATE (日期)	DWN (绘图)	APVD (核准)
REVISIONS (修订)				

THIS DRAWING IS A CONTROLLED DOCUMENT. (此图为宇亮公司受控文件)		DWN (绘图) A. WU	2017\04\07	东莞市宇亮电子有限公司 DONG GUAN YU LIANG ELECTRONICS CO.,LTD NAME (品名) 2.54 MM PITCH BOARD TO BOARD, 36P PLUG. SIZE (尺寸) A4 DRAWING No. (图号) © YL-ED-XXXXX	
DIMENSIONS: (单位) mm		CHEK (审核) S. CHIEN	2017\04\07		
TOLERANCES UNLESS OTHERWISE SPECIFIED: (自由公差参照)		APVD (核准) Abel	2017\04\07		
THIRD ANGLE PROJECTION (第三视角)		PRODUCT SPEC (产品规范) —	—		
		WEIGHT (产品重量) —	—	CUSTOMER DRAWING (业务图)	SCALE (比例) 1 : 1
					SHEET (页码) 1 OF 1