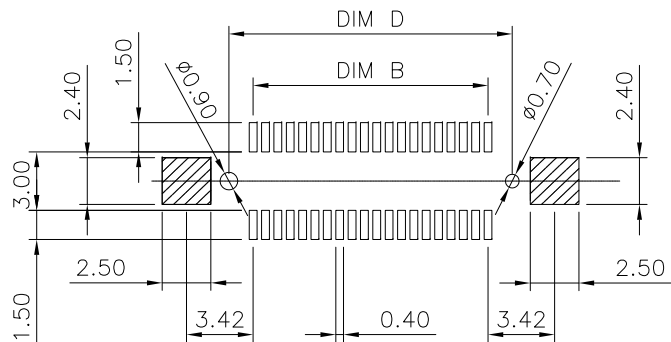


MATING DRAW REF



RECOMMENDED PCB LAYOUT

**ELECTRICAL:**  
 VLOTAG RATING:50V AC(RMS)/DC  
 CURRENT RATING:0.5A AC(RMS)/DC  
 CONTACT RESISTANCE:50MΩ MAX  
 INSULATION RESISTANCE:100MΩ MIN  
 DIELECTRIC WITHSTANDING VOLTAGE:200V AC R.M.S  
 OPERTING TEMPERATURE:-30°C~+80°C  
 MATERIRLS  
 HOUSING:HIGH TEMPERATURE PLASTIC  
 UL94V-0  
 TERMINAL:COPPER ALLOY  
 MATERIAL:LCP  
 CONTACT:PHOSPHOR BRONAE,SEMI GOLD TIN

REVISIONS				
LTR	DESCRIPTION	DATE	DWN	APVD
A	RELEASED	01Jan16	AW	WK

* NO. OF CContacts	Dimension(mm)			
	A±0.20	B±0.10	C±0.10	D±0.10
30	16.325	8.89	13.225	11.375
* 40	19.50	12.065	16.40	14.55
50	22.675	15.24	19.575	17.725
52	23.31	15.875	20.21	18.36
60	25.85	18.415	22.75	20.90
70	29.025	21.59	25.925	24.075
80	32.20	24.765	29.10	27.25

YL007-010-XXX  
 PART NUMBER

THIS DRAWING IS A CONTROLLED DOCUMENT.		DWN A. WU 01Jan2016	<b>东莞市宇亮电子有限公司</b> DONG GUAN YU LIANG ELECTRONICS CO.,LTD NAME <b>0.635MM BOARD TO BOARD 母座 SMT H8.0</b> SIZE A4 DRAWING No. YL007-010
DIMENSIONS: mm	TOLERANCES UNLESS OTHERWISE SPECIFIED:	CHEK S. CHIEN 01Jan2016	
	0 PLC ± 0.50 1 PLC ± 0.30 2 PLC ± 0.20 3 PLC ± 0.15 4 PLC ± - ANGLES ± 3°	APVD Abel 01Jan2016	
THIRD ANGLE PROJECTION		PRODUCT SPEC WEIGHT	
		CUSTOMER DRAWING	SCALE 1 : 1 SHEET 1 of 1