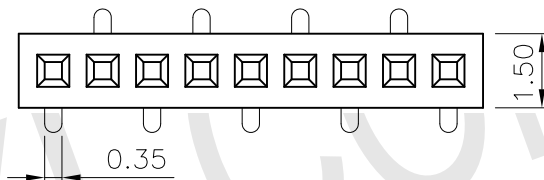
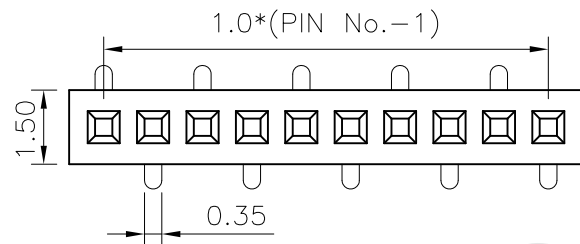
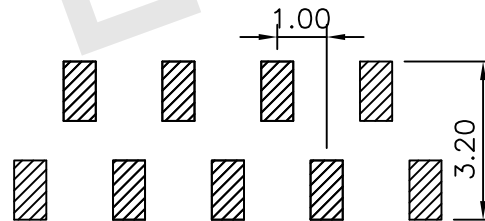
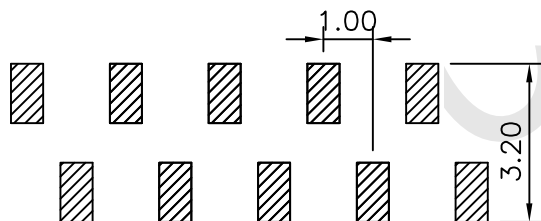


**FH100-1XX-XXX**  
 Female Header  
 Pitch 1.00mm  
 Single Row  
 Type1/Type2  
 .....  
 No.of Pins  
 Single Row:2~50

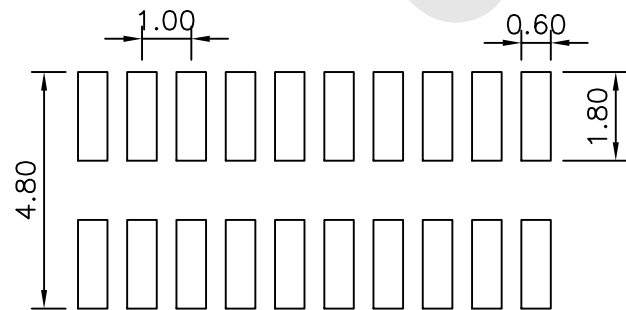
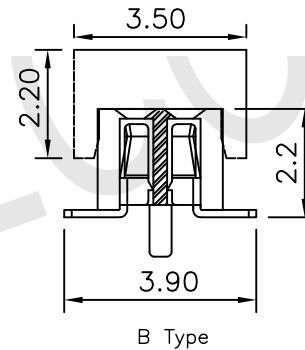
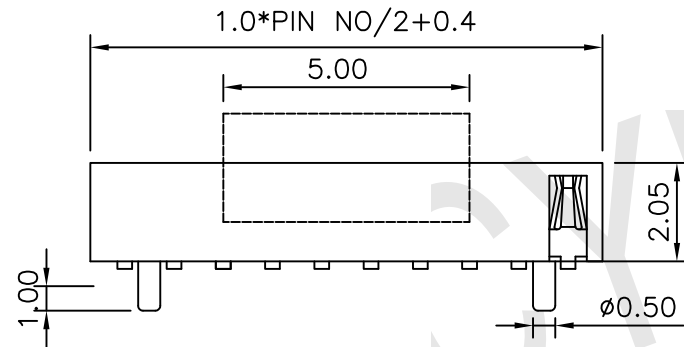
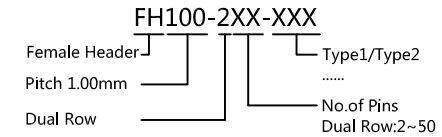
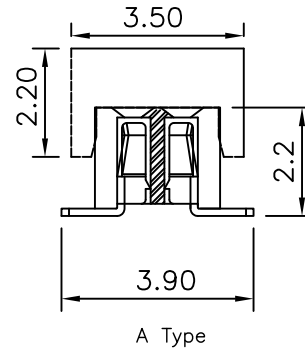
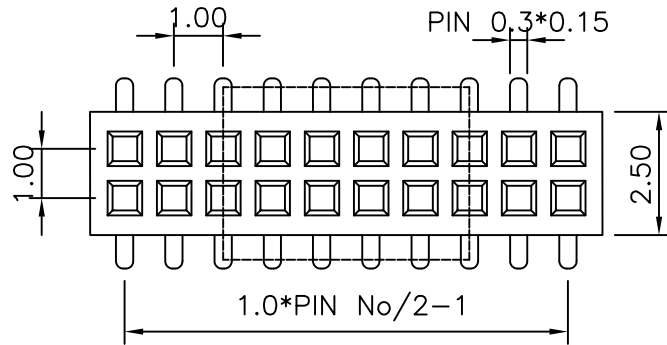


**PRODUCT SPECIFICATION**

- 1.INSULATOR MATERIAL : POLYESTER, UL94V-0 .
- 2.TERMINAL MATERIAL : COPPER ALLOY .
- 3.FINISH : GOLD OR TIN PLATED.
- 4.CURRENT RATING : 1 AMPERE.
5. NSULATION RESISTANCE : 1000M OHMS MIN.
6. DIELECTRIC WITHSTANDING VOLTAGE : 1000 V /1 MINUTE.
7. CONTACT RESISTANCE : 初期 Initial : 20 m Ohm Max . ;  
测试后 Final : 40 m Ohm Max . .
8. OPERATING TEMPERATURE : - 40°C to +105°C.



|  |  |                  |  |              |
|--|--|------------------|--|--------------|
| THIS DRAWING IS A CONTROLLED DOCUMENT.   |  | DWN              | 080672016                                |              |
| <p>THIRD ANGLE PROJECTION</p>  |  | CHEK             | 08Jan2016                                |              |
|  |  | APVD             | Abel 08Jan2016                           |              |
| TOLERANCES UNLESS OTHERWISE SPECIFIED:<br>0 PLC ± 0.50<br>1 PLC ± 0.30<br>2 PLC ± 0.20<br>3 PLC ± 0.15<br>4 PLC ± -<br>ANGLES ± 3° |  | PRODUCT SPEC     | -  |              |
|  |  | WEIGHT           | -  |              |
|  |  | CUSTOMER DRAWING | -  |              |
| 东莞市宇亮电子有限公司<br>DONG GUAN YU LIANG ELECTRONICS CO.,LTD  |  |                  | NAME                                     |              |
|  |  |                  | Female Header 1.00mm Single Row SMT Type |              |
|  |  | SIZE             | A4                                       |              |
|  |  | DRAWING No.      | YL-ED-XXX                                |              |
|  |  | SCALE            | 1 : 1                                    | SHEET 1 of 1 |



PRODUCT SPECIFICATION

- INSULATOR MATERIAL : POLYESTER, UL94V-0 .
- TERMINAL MATERIAL : COPPER ALLOY .
- FINISH : GOLD OR TIN PLATED.
- CURRENT RATING : 1 AMPERE.
- INSULATION RESISTANCE : 1000M OHMS MIN.
- DIELECTRIC WITHSTANDING VOLTAGE : 1000 V /1 MINUTE.
- CONTACT RESISTANCE : 初期 Initial : 20 m Ohm Max. ;  
测试后 Final : 40 m Ohm Max. .
- OPERATING TEMPERATURE : - 40°C to +105°C.

|  |  |                  |                |   |                          |
|--|--|------------------|----------------|---|--------------------------|
| THIS DRAWING IS A CONTROLLED DOCUMENT. |  | DWN              | 08032016       | 东莞市宇亮电子有限公司<br>DONG GUAN YU LIANG ELECTRONICS CO.,LTD |                          |
|  |  | CHEK             | 08Jan2016      |   |                          |
|  |  | APVD             | Abel 08Jan2016 | NAME<br>Female Header 1.00mm Dual Row SMT Type        |                          |
|  |  | PRODUCT SPEC     | —              | SIZE  | DRAWING No.<br>YL-ED-XXX |
|  |  | WEIGHT           | —              | SCALE 1 : 1 SHEET 1 of 1                              |                          |
| THIRD ANGLE PROJECTION                 |  | CUSTOMER DRAWING |                |   |                          |

|  |        |
|--|--------|
| TOLERANCES UNLESS OTHERWISE SPECIFIED: |        |
| 0 PLC                                  | ± 0.50 |
| 1 PLC                                  | ± 0.30 |
| 2 PLC                                  | ± 0.20 |
| 3 PLC                                  | ± 0.15 |
| 4 PLC                                  | ± —    |
| ANGLES                                 | ± 3'   |