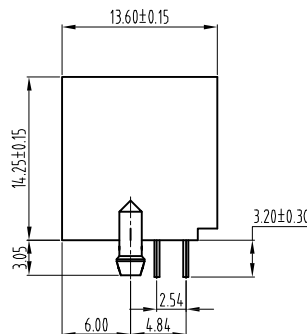
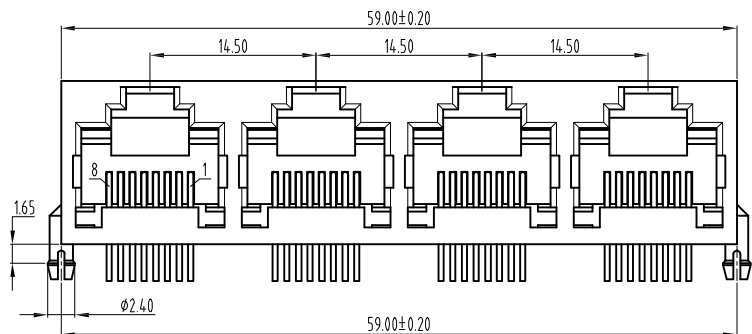




| REVISIONS | | | | |
|-----------|-------------|---------|-----|------|
| LTR | DESCRIPTION | DATE | DWN | APVD |
| A | RELEASED | 01Jan16 | AW | WK |



NOTES:

MATERIAL:

- 1.HOUSING :GLASS FILLED POLYESTER UL94V-0
- 2.CONTACT (ROUND PIN Ø0.46mm) :PHOSPHOR BRONZE WITH GOLD PLATING OVER NICKEL.

ELECTRICAL:

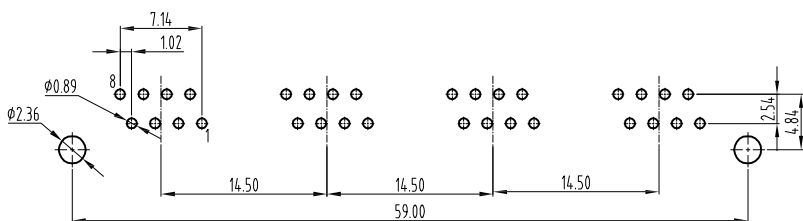
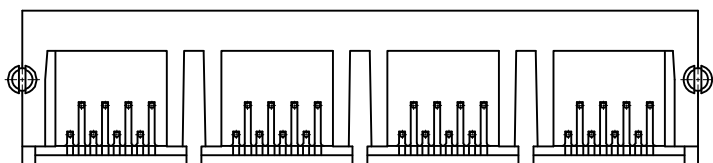
- 1.VOLTAGE RATING :125V AC.
- 2.CURRENT RATING :1.5AMP.
- 3.CONTACT RESISTANCE :30 MILLIOHMS MAX.
- 4.INSULATION RESISTANCE :500 MEGOHMS MIN @ 500V DC.
- 5.DIELECTRIC WITHSTANDING VOLTAGE :1000V AC RMS 50Hz OR 60Hz. 1MIN.

MECHANICAL:

- 1.INSETION FORCE :2.2Kg MAX.
- 2.RETENTION STRENGTH :7.7Kg BETWEEN JACK AND PLUG
- 3.DURABILITY :750 CYCLES MINI.

ENVIRONMENTAL:

- 1.STORAGE : -40℃~+85℃.
- 2.OPERATION : -40℃ TO 85℃.



PCB LAYOUT/TOP VIEW

YL005-008-XXX
PART NUMBER

| | | | | | |
|--|--|-------------------|----------------|--|----------------------------|
| THIS DRAWING IS A CONTROLLED DOCUMENT. | | DWN A. WU | 01Jan2016 | 东莞市宇亮电子有限公司 DONG GUAN YU LIANG ELECTRONICS CO.,LTD | |
| DIMENSIONS: mm | | CHEK S. CHIEN | 01Jan2016 | | |
| TOLERANCES UNLESS OTHERWISE SPECIFIED: | | APVD Abel | 01Jan2016 | NAME RJ45 1*4 PORTS, 90度,H=14.25MM,无铁壳. | |
| THIRD ANGLE PROJECTION | | PRODUCT SPEC — | — | SIZE A4 | DRAWING No. ©=YL005-008 |
| 0 PLC ± 0.50 1 PLC ± 0.30 2 PLC ± 0.20 3 PLC ± 0.15 4 PLC ± — ANGLES ± 3° | | WEIGHT — | — | CUSTOMER DRAWING | |
| | | | SCALE 1 : 1 | SHEET 1 of 1 | |