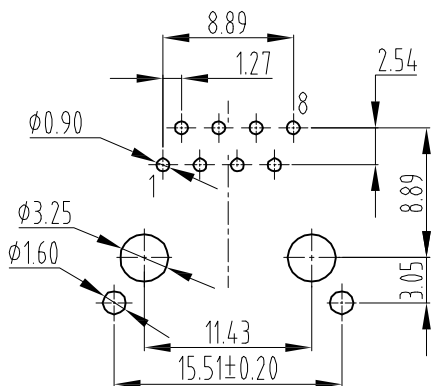
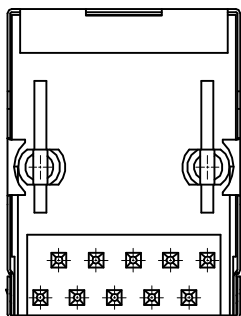
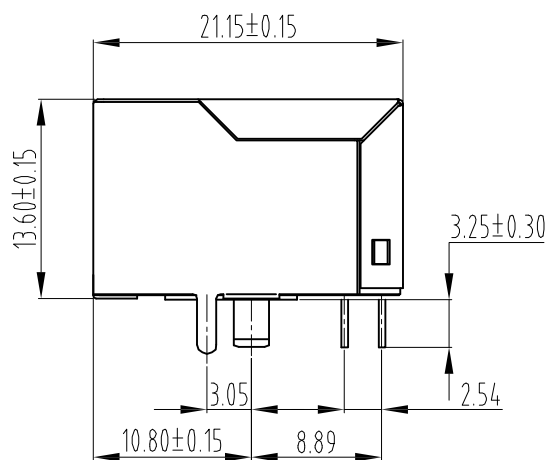
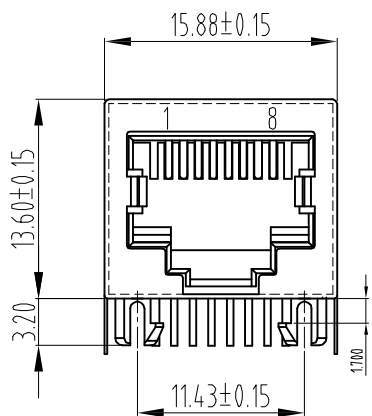




| REVISIONS |             |         |     |      |
|-----------|-------------|---------|-----|------|
| LTR       | DESCRIPTION | DATE    | DWN | APVD |
| A         | RELEASED    | 01Jan16 | AW  | WK   |



PCB LAYOUT/TOP VIEW

NOTES:

MATERIAL:

- 1.HOUSING :GLASS FILLED POLYESTER UL94V-0
- 2.CONTACT (ROUND PIN  $\phi 0.46\text{mm}$ ) :PHOSPHOR BRONZE WITH GOLD PLATING OVER NICKEL.
- 3.SHIELD :0.20mm THICKNESS COPPER ALLOY WITH NICKEL PLATED.

ELECTRICAL:

- 1.VOLTAGE RATING :125V AC.
- 2.CURRENT RATING :1.5AMP.
- 3.CONTACT RESISTANCE :30 MILLIOHMS MAX.
- 4.INSULATION RESISTANCE :500 MEGOHMS MIN @ 500V DC.
- 5.DIELECTRIC WITHSTANDING VOLTAGE :1000V AC RMS 50Hz OR 60Hz. 1MIN.

MECHANICAL:

- 1.INSERTION FORCE :2.2Kg MAX.
- 2.RETENTION STRENGTH :7.7Kg BETWEEN JACK AND PLUG
- 3.DURABILITY :750 CYCLES MINI.

ENVIRONMENTAL:

- 1.STORAGE : -40°C~+85°C.
- 2.OPERATION : -40°C TO 85°C.

YL005-011-XXX  
PART NUMBER

|  |  |                               |   |                            |
|--|--|-------------------------------|---|----------------------------|
| THIS DRAWING IS A CONTROLLED DOCUMENT.   |  | DWN<br>A. WU<br>01Jan2016     | 东莞市宇亮电子有限公司<br>DONG GUAN YU LIANG ELECTRONICS CO.,LTD |                            |
| DIMENSIONS:<br>mm  |  | CHEK<br>S. CHIEN<br>01Jan2016 |   |                            |
| TOLERANCES UNLESS OTHERWISE SPECIFIED:   |  | APVD<br>Abel<br>01Jan2016     | RJ45 1 PORTS, 90度, H=13.6MM.                          |                            |
|  |  | PRODUCT SPEC<br>—             |   |                            |
| 0 PLC ± 0.50<br>1 PLC ± 0.30<br>2 PLC ± 0.20<br>3 PLC ± 0.15<br>4 PLC ± —<br>ANGLES ± 3° |  | WEIGHT<br>—                   | SIZE<br>A4  | DRAWING No.<br>Y=YL005-011 |
| CUSTOMER DRAWING   |  |                               | SCALE 1 : 1   | SHEET 1 of 1               |