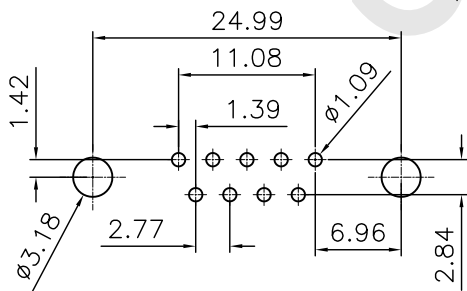
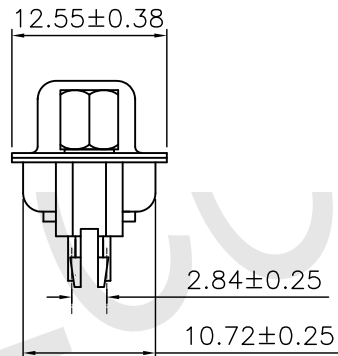
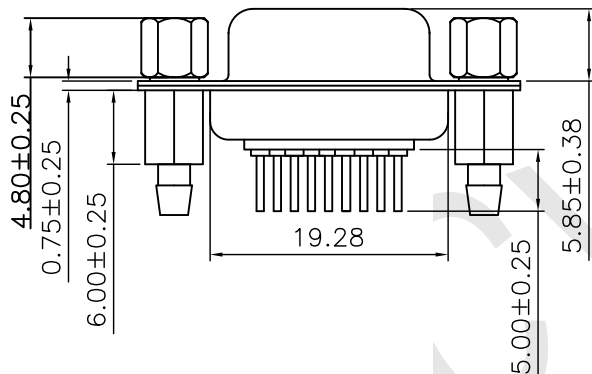
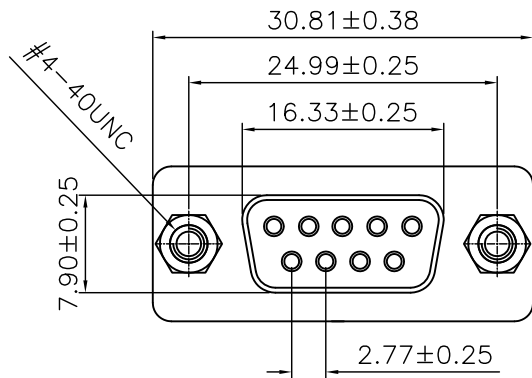




REVISIONS				
LTR	DESCRIPTION	DATE	DWN	APVD
A	RELEASED	01Jan16	AW	WK



P.C.B LAYOUT

NOTE:

- 1.MATERIALS AND FINISHED
INSULATOR : PBT+30% GF UL 94V-0,
SHELL : STEEL, NI OR SN FINISHED
CONTACT MATERIAL : BRASS, SELEVITE GOLD FINISHED
RIVETED INSERT: BRASS MATERIAL ,TIN FINISHED
WITH #4-40 THREADED ASSEMBLED
- 2.ELECTRICAL CHARACTERISTICS
CURRENT RATING : 1.0 AMP DC
VOLTAGE RATING: 300 V DC
CONTACT RESISTANCE :20 MILLIOHMS MAX.
DIELECTRIC WITHSTANDING VOLTAGE : 500 V AC MIN.
INSULATION RESISTANCE : 1000 MEGAOHMS MIN.
- 3.MECHANICAL PERFORMANCE
DURABILITY:600CYCLES
- 4.ENVIRONMENTAL
OPERATING TEMPERATURE: -55°C ~ +85°C
STORAGE TEMPERATURE:-55°C ~ +105°C

YL013-026-XXX

PART NUMBER

THIS DRAWING IS A CONTROLLED DOCUMENT.		DWN A. WU 01Jan2016	东莞市宇亮电子有限公司 DONG GUAN YU LIANG ELECTRONICS CO.,LTD	
DIMENSIONS: mm		CHEK S. CHIEN 01Jan2016		
TOLERANCES UNLESS OTHERWISE SPECIFIED:		APVD Abel 01Jan2016	D-SUB FEMALE DUAL ROW 180° DIP TYPE	
 THIRD ANGLE PROJECTION		PRODUCT SPEC —	SIZE A4	DRAWING No. C=YL013-026
0 PLC ± 0.50 1 PLC ± 0.30 2 PLC ± 0.20 3 PLC ± 0.15 4 PLC ± - ANGLES ± 3°		WEIGHT —	CUSTOMER DRAWING	SCALE 1 : 1 SHEET 1 of 1