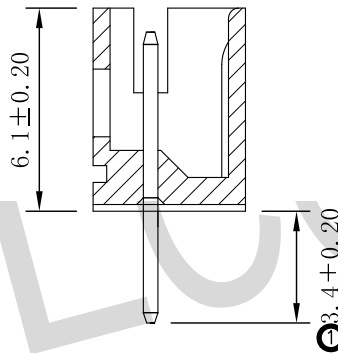
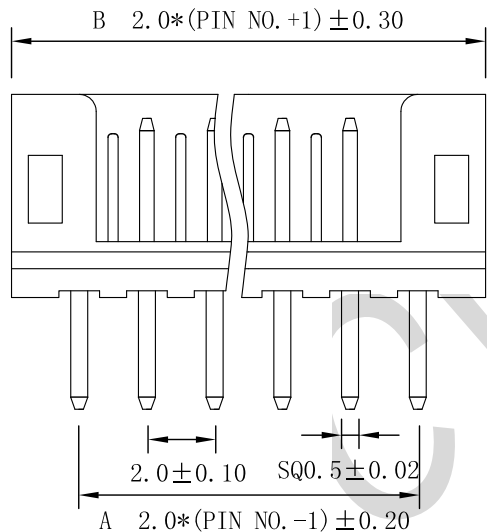
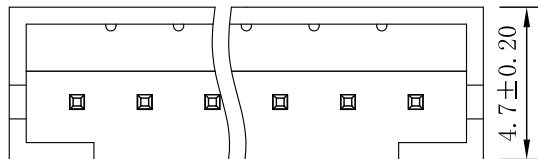




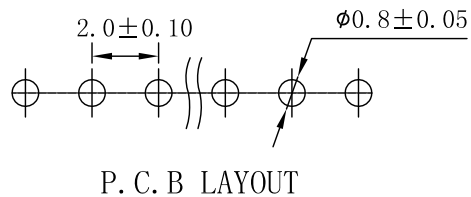
REVISIONS				
LTR	DESCRIPTION	DATE	DWN	APVD
A	RELEASED	25Jan16	AW	WK



NOTE :

- MATERIAL:
HOUSING: PA66, UL94V-0, Back .
TERMINAL: BRASS.
- FINISH:
TERMINAL: Tin plated
- SPECIFICATION NOTES:
CONTACT RESISTANCE: 30 milliohms MAX.
CURRENT RATING: 1A .
DIELECTRIC WITHSTANDING VOLTAGE: 1000V.

PIN NO.	DIMENSION	
	A	B
2	2.0	6.0
3	4.0	8.0
4	6.0	10.0
5	8.0	12.0
6	10.0	14.0
7	12.0	16.0
8	14.0	18.0
⋮	⋮	⋮
20	38.0	42.0



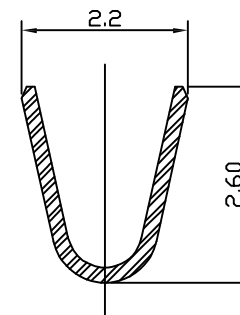
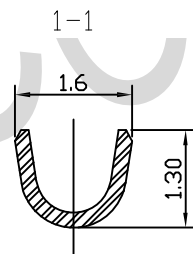
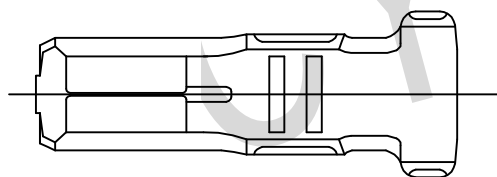
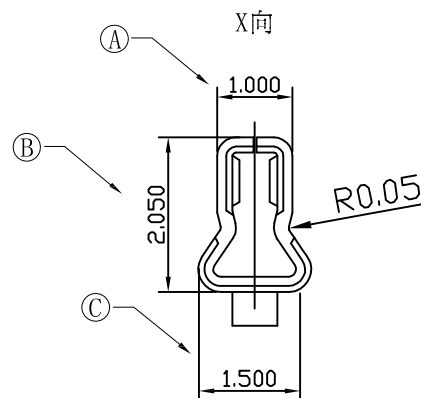
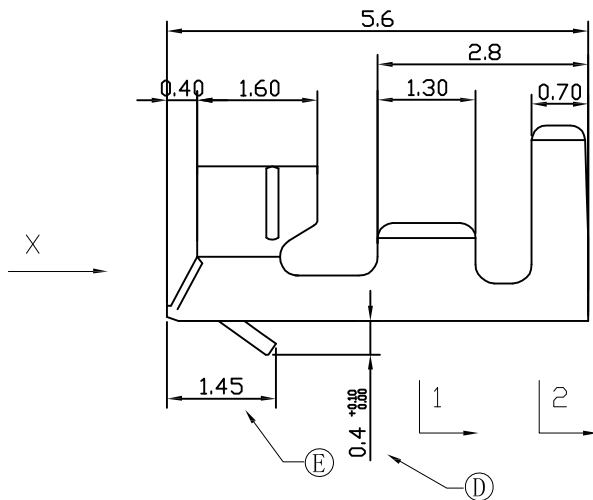
THIS DRAWING IS A CONTROLLED DOCUMENT.		DWN A. WU 25Jan2016	东莞市宇亮电子有限公司 DONG GUAN YU LIANG ELECTRONICS CO.,LTD 2.0WAFER DIP TYPE SN PA66
DIMENSIONS: mm	TOLERANCES UNLESS OTHERWISE SPECIFIED:	CHEK S. CHIEN 25Jan2016	
 THIRD ANGLE PROJECTION	0 PLC ± 0.50 1 PLC ± 0.30 2 PLC ± 0.20 3 PLC ± 0.15 4 PLC ± - ANGLES ± 3°	APVD Abel 25Jan2016 PRODUCT SPEC - WEIGHT -	
	CUSTOMER DRAWING		
		SCALE 1 : 1	SHEET 1 of 1



REVISIONS

LTR	DESCRIPTION	DATE	DWN	APVD
B	RELEASED	05July16	AW	WK

材料名称	材料性能	材料厚度	表面处理	适用导线规格
锡青铜 QSn6.5-0.1	Y	0.2mm	镀锡0.002~0.004mm	AWG32#~24#

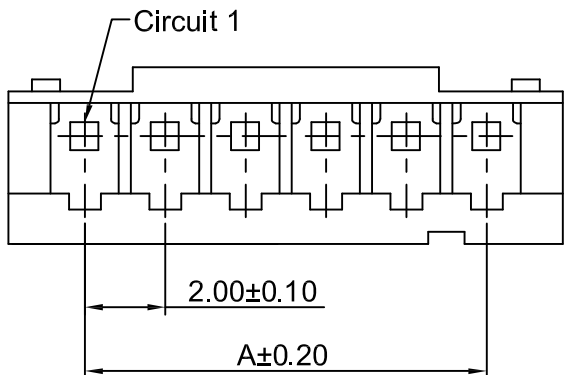


YL028-046-XXX
PART NUMBER

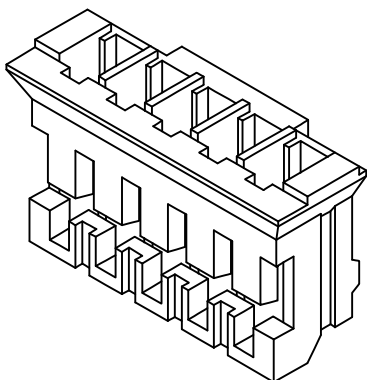
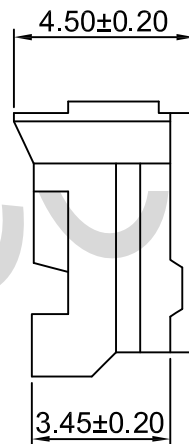
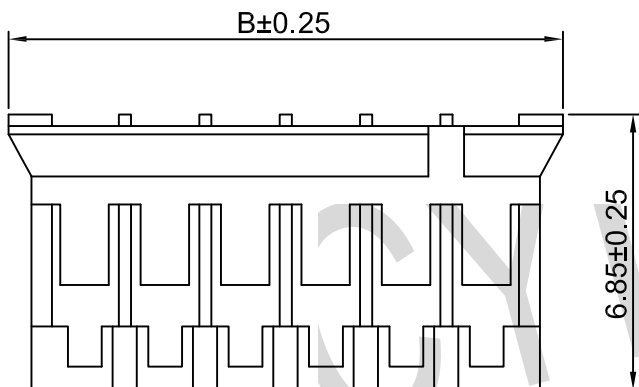
THIS DRAWING IS A CONTROLLED DOCUMENT.		DWN A. WU 05July2016	东莞市宇亮电子有限公司 DONG GUAN YU LIANG ELECTRONICS CO., LTD	
DIMENSIONS: mm		CHEK S. CHIEN 05July2016		
TOLERANCES UNLESS OTHERWISE SPECIFIED:		APVD Abel 05July2016	PH-T 端子	
0 PLC ± 0.50 1 PLC ± 0.30 2 PLC ± 0.20 3 PLC ± 0.15 4 PLC ± -		PRODUCT SPEC -		
THIRD ANGLE PROJECTION		WEIGHT -	SIZE A4	DRAWING No. YL028-046
CUSTOMER DRAWING			SCALE 1 : 1	SHEET 1 of 1



REVISIONS				
LTR	DESCRIPTION	DATE	DWN	APVD
A	RELEASED	25Jan16	AW	WK



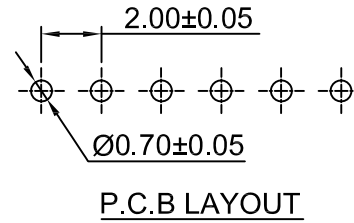
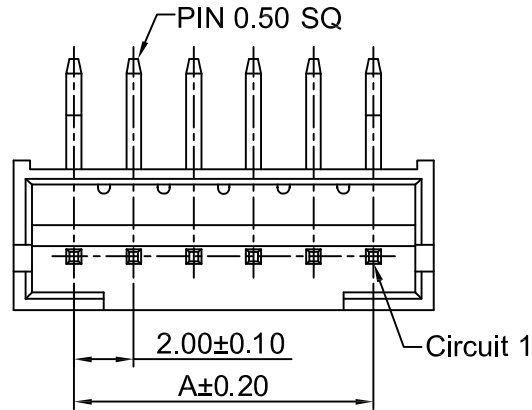
NOTE :
 1. MATERIAL:
 HOUSING: PA66, UL94V-0, Back .



THIS DRAWING IS A CONTROLLED DOCUMENT.		DWN A. WU	25Jan2016	东莞市宇亮电子有限公司 DONG GUAN YU LIANG ELECTRONICS CO.,LTD	
DIMENSIONS: mm	TOLERANCES UNLESS OTHERWISE SPECIFIED:	CHEK S. CHIEN	25Jan2016		
	0 PLC ± 0.50 1 PLC ± 0.30 2 PLC ± 0.20 3 PLC ± 0.15 4 PLC ± - ANGLES ± 3°	APVD Abel	25Jan2016	NAME 2.0WAFER HOUSING TYPE PA66	
		PRODUCT SPEC —	—	SIZE A4	DRAWING No. C= YL028-052
THIRD ANGLE PROJECTION		WEIGHT —		CUSTOMER DRAWING	SCALE 1 : 1 SHEET 1 of 1

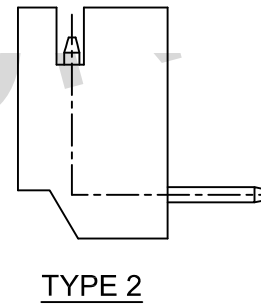
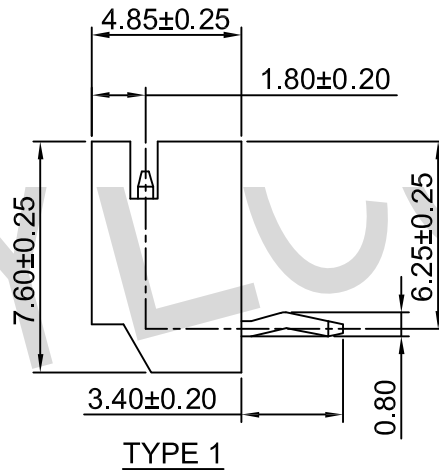
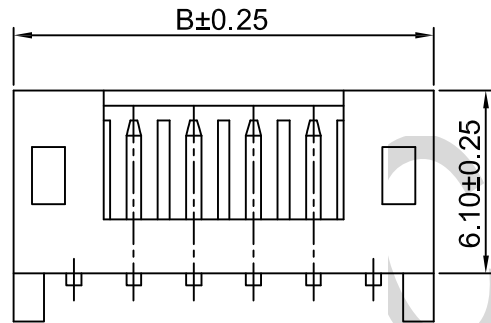


REVISIONS				
LTR	DESCRIPTION	DATE	DWN	APVD
A	RELEASED	25Jan16	AW	WK

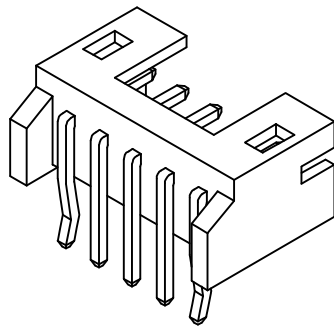


NOTE :

- MATERIAL:
HOUSING: PA66, UL94V-0, Back .
TERMINAL: BRASS.
- FINISH:
TERMINAL: Tin plated
- SPECIFICATION NOTES:
CONTACT RESISTANCE: 30 milliohms MAX.
CURRENT RATING: 1A .
DIELECTRIC WITHSTANDING VOLTAGE: 1000V.



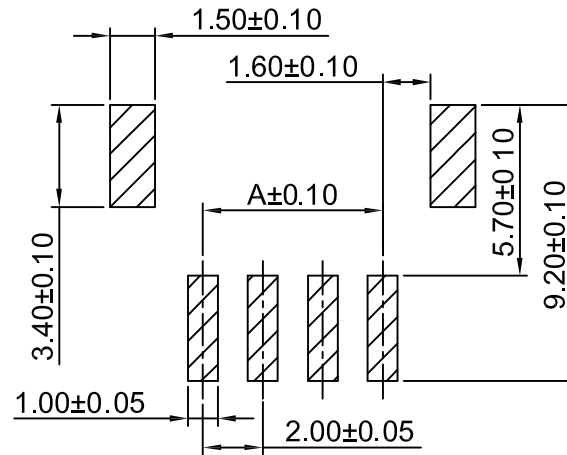
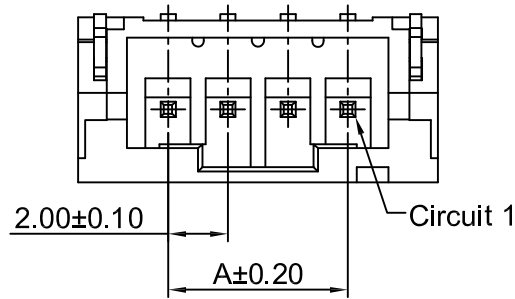
PIN NO.	DIMENSION	
	A	B
2	2.0	6.0
3	4.0	8.0
4	6.0	10.0
5	8.0	12.0
6	10.0	14.0
7	12.0	16.0
8	14.0	18.0
⋮	⋮	⋮
20	38.0	42.0



THIS DRAWING IS A CONTROLLED DOCUMENT.		DWN A. WU 25Jan2016	东莞市宇亮电子有限公司 DONG GUAN YU LIANG ELECTRONICS CO.,LTD	
DIMENSIONS: mm	TOLERANCES UNLESS OTHERWISE SPECIFIED:	CHEK S. CHIEN 25Jan2016		
 THIRD ANGLE PROJECTION	0 PLC ± 0.50 1 PLC ± 0.30 2 PLC ± 0.20 3 PLC ± 0.15 4 PLC ± - ANGLES ± 3°	APVD Abel 25Jan2016	2.0WAFER R/A TYPE SN PA66	
		PRODUCT SPEC -		SIZE A4
		WEIGHT -	DRAWING No. YL028-051	SCALE 1 : 1
CUSTOMER DRAWING				



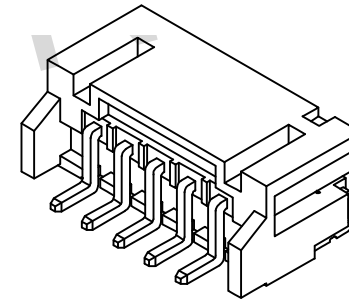
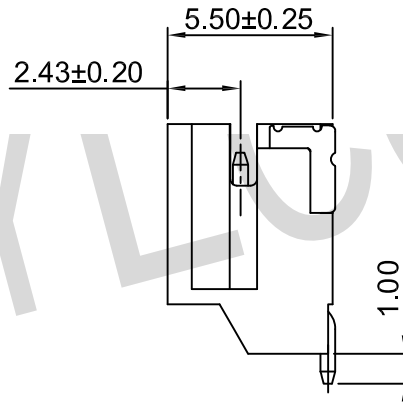
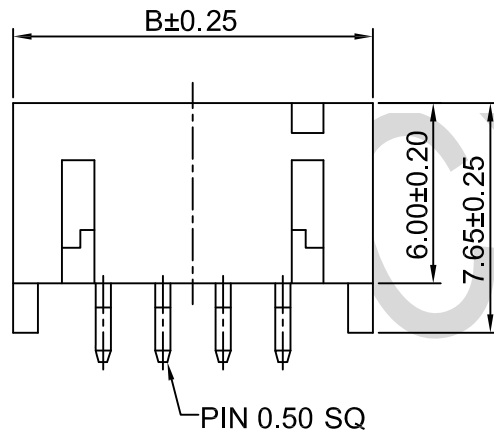
REVISIONS				
LTR	DESCRIPTION	DATE	DWN	APVD
A	RELEASED	25Jan16	AW	WK



P.C.B LAYOUT

NOTE :

- MATERIAL:
HOUSING: PA6T, UL94V-0, Back .
TERMINAL: BRASS.
- FINISH:
TERMINAL: Tin plated
- SPECIFICATION NOTES:
CONTACT RESISTANCE: 30 milliohms MAX.
CURRENT RATING: 1A .
DIELECTRIC WITHSTANDING VOLTAGE: 1000V.

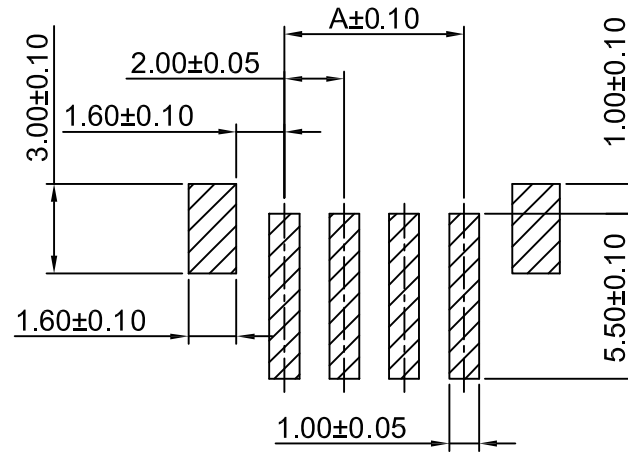
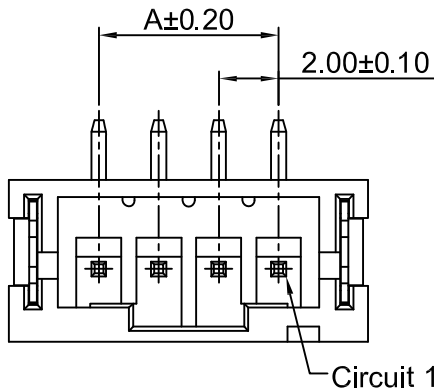


PIN NO.	DIMENSION	
	A	B
2	2.0	8.0
3	4.0	10.0
4	6.0	12.0
5	8.0	14.0
6	10.0	16.0
7	12.0	18.0
8	14.0	20.0
⋮	⋮	⋮
14	26.0	32.0

THIS DRAWING IS A CONTROLLED DOCUMENT.		DWN A. WU 25Jan2016	东莞市宇亮电子有限公司 DONG GUAN YU LIANG ELECTRONICS CO.,LTD	
DIMENSIONS: mm	TOLERANCES UNLESS OTHERWISE SPECIFIED:	CHEK S. CHIEN 25Jan2016		
 THIRD ANGLE PROJECTION	0 PLC ± 0.50	APVD Abel 25Jan2016	2.0WAFER SMT TYPE SN PA6T	
	1 PLC ± 0.30	PRODUCT SPEC	SIZE	DRAWING No.
	2 PLC ± 0.20	—	A4	YL028-050
3 PLC ± 0.15	4 PLC ± -	WEIGHT	SCALE 1 : 1 SHEET 1 of 1	
4 PLC ± -	ANGLES ± 3°	—	CUSTOMER DRAWING	



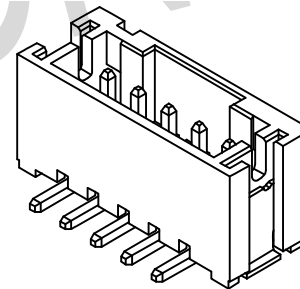
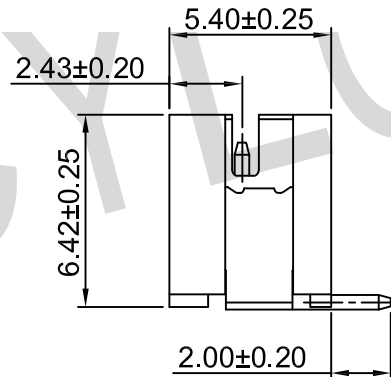
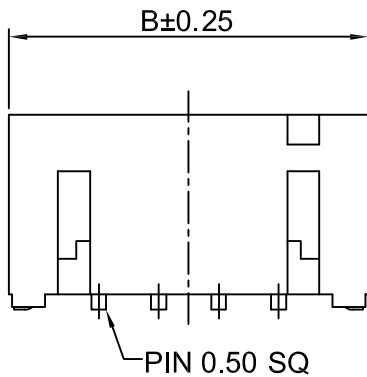
REVISIONS				
LTR	DESCRIPTION	DATE	DWN	APVD
A	RELEASED	25Jan16	AW	WK



P.C.B LAYOUT

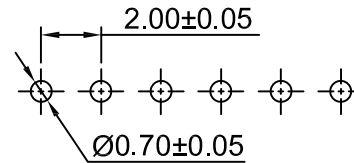
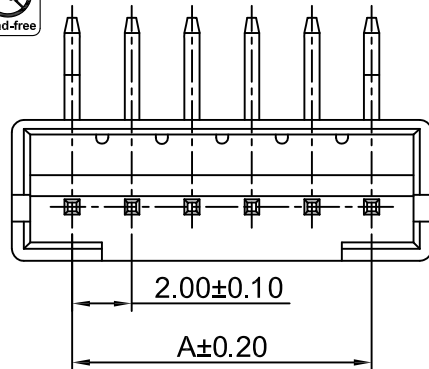
NOTE :

- MATERIAL:
HOUSING: PA6T, UL94V-0, Back .
TERMINAL: BRASS.
- FINISH:
TERMINAL: Tin plated
- SPECIFICATION NOTES:
CONTACT RESISTANCE: 30 milliohms MAX.
CURRENT RATING: 1A .
DIELECTRIC WITHSTANDING VOLTAGE: 1000V.



PIN NO.	DIMENSION	
	A	B
2	2.0	8.0
3	4.0	10.0
4	6.0	12.0
5	8.0	14.0
6	10.0	16.0
7	12.0	18.0
8	14.0	20.0
⋮	⋮	⋮
14	26.0	32.0

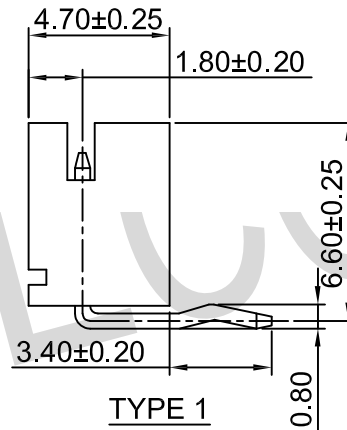
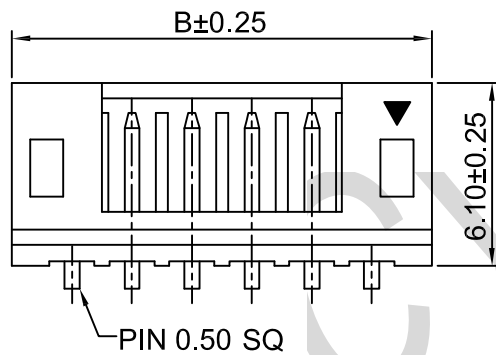
THIS DRAWING IS A CONTROLLED DOCUMENT.		DWN A. WU 25Jan2016	东莞市宇亮电子有限公司 DONG GUAN YU LIANG ELECTRONICS CO.,LTD	
DIMENSIONS: mm		CHEK S. CHIEN 25Jan2016		
TOLERANCES UNLESS OTHERWISE SPECIFIED:		APVD Abel 25Jan2016	2.0WAFER SMT TYPE SN PA6T	
 THIRD ANGLE PROJECTION		PRODUCT SPEC —	SIZE A4	DRAWING No. YL028-049
0 PLC ± 0.50 1 PLC ± 0.30 2 PLC ± 0.20 3 PLC ± 0.15 4 PLC ± — ANGLES ± 3°		WEIGHT —	SCALE 1 : 1 SHEET 1 of 1	
CUSTOMER DRAWING				



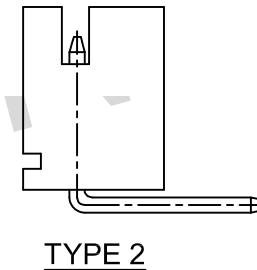
P.C.B LAYOUT

NOTE :

- MATERIAL:
HOUSING: PA66, UL94V-0, Back .
TERMINAL: BRASS.
- FINISH:
TERMINAL: Tin plated
- SPECIFICATION NOTES:
CONTACT RESISTANCE: 30 milliohms MAX.
CURRENT RATING: 1A .
DIELECTRIC WITHSTANDING VOLTAGE: 1000V.

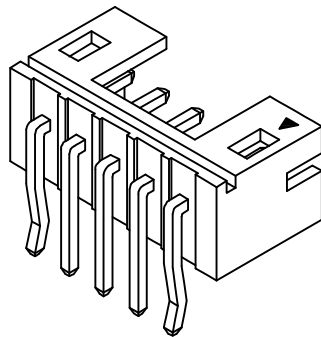


TYPE 1



TYPE 2

PIN NO.	DIMENSION	
	A	B
2	2.0	6.0
3	4.0	8.0
4	6.0	10.0
5	8.0	12.0
6	10.0	14.0
7	12.0	16.0
8	14.0	18.0
⋮	⋮	⋮
20	38.0	42.0



THIS DRAWING IS A CONTROLLED DOCUMENT.		DWN A. WU 25Jan2016	东莞市宇亮电子有限公司 DONG GUAN YU LIANG ELECTRONICS CO.,LTD	
DIMENSIONS: mm	TOLERANCES UNLESS OTHERWISE SPECIFIED:	CHEK S. CHIEN 25Jan2016		
	0 PLC ± 0.50	APVD Abel 25Jan2016	2.0WAFER R/A TYPE SN PA66	
	1 PLC ± 0.30	PRODUCT SPEC	SIZE	DRAWING No.
	2 PLC ± 0.20	—	A4	Y= YL028-048
3 PLC ± 0.15	ANGLES ± 3°	WEIGHT	CUSTOMER DRAWING	
4 PLC ± -		—	SCALE 1 : 1	SHEET 1 of 1