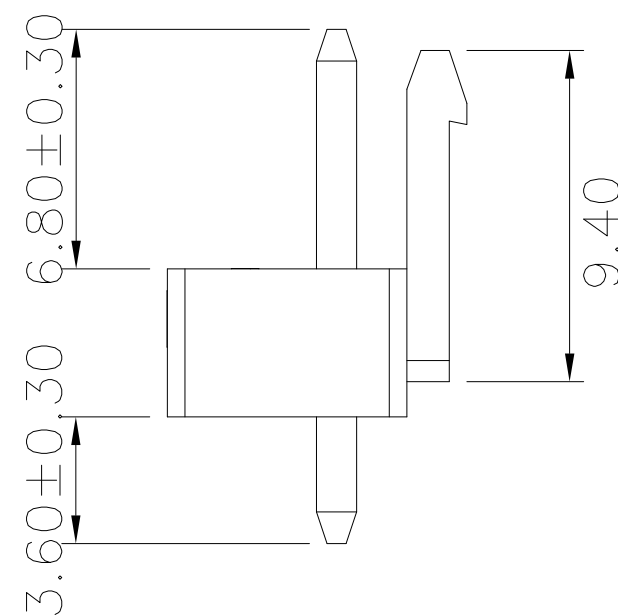


A	RELEASED	2018\11\12	杨磊	
LTR (版本)	DESCRIPTION (变更内容描述)	DATE (日期)	DWN (绘图)	APVD (核准)
REVISIONS (修订)				

### ◆ 技术参数/Technical parameters

- 符合规范/Accord With Norm :EIA-364C
- 额定电流/Current Rating :7AMP
- 绝缘阻抗/Insulator Resistance :1000MΩ Min.
- 接触阻抗/Contact Resistance :20mΩ Max.
- 耐电压值/Voltage Resistance :AC 500V
- 工作温度/Operating Temperature :-40°C To +105°C
- 金属材料/Metallic Material :Brass
- 金属处理/Metal Treatment :Ni (30~50u") +Sn120u"
- 绝缘材料/Insulator Material :PA6T BK +30%GF UL94V-0
- 耐焊接热/Resistance To Soldering Heat :260° C ±5° C 10S MAX

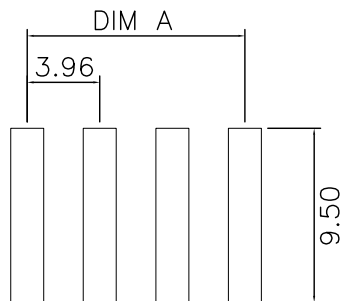
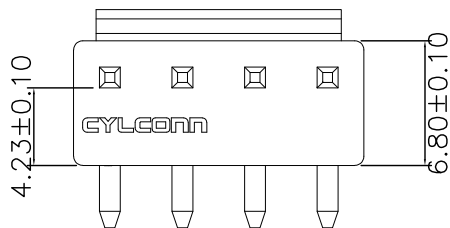


PIN数	DIM A	DIM B
2P	3.96	7.92
3P	7.92	11.88
4P	11.88	15.84
5P	15.84	19.80
6P	19.80	23.76
7P	23.76	27.72
8P	27.72	31.68
9P	31.68	35.64
10P	35.64	39.60
11P	39.60	43.56
12P	43.56	47.52
13P	47.52	51.48
14P	51.48	55.44
15P	55.44	59.40

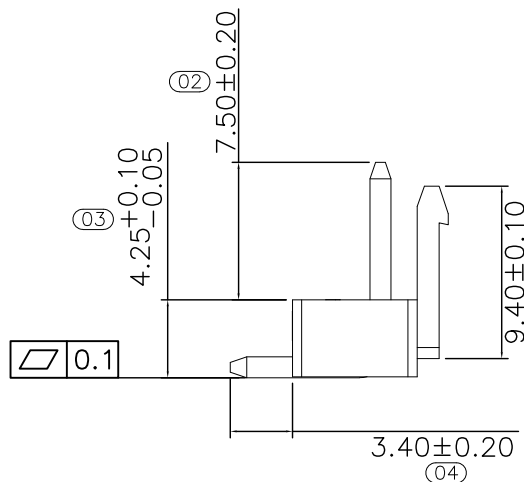
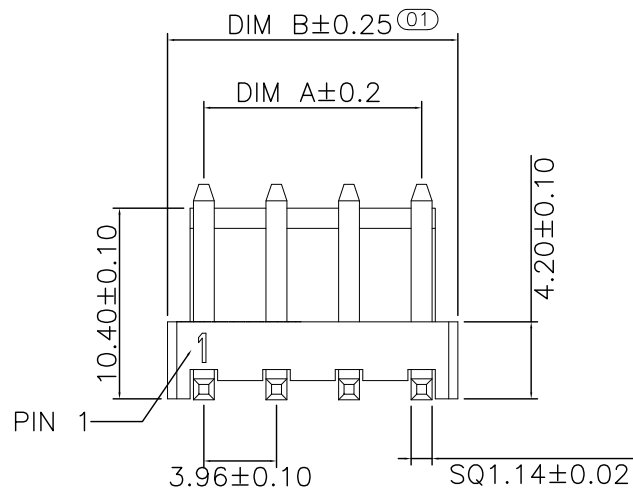
THIS DRAWING IS A CONTROLLED DOCUMENT. (此图为宇亮公司受控文件)		DWN (绘图) 2018\11\12 杨磊	<b>东莞市宇亮电子有限公司</b> DONG GUAN YU LIANG ELECTRONICS CO., LTD									
DIMENSIONS: (单位) mm		CHEK (审核) 2018\11\12										
TOLERANCES UNLESS OTHERWISE SPECIFIED: (自由公差参照)		APVD (核准) 2018\11\12	NAME (品名) <b>WAFER3.96*4.2 1*NP SQ14.6/3.6 S/T Sn PA6T 直靠背</b>									
<table style="width: 100%; border-collapse: collapse;"> <tr><td>0 PLC</td><td>± 0.50</td></tr> <tr><td>1 PLC</td><td>± 0.30</td></tr> <tr><td>2 PLC</td><td>± 0.20</td></tr> <tr><td>3 PLC</td><td>± 0.15</td></tr> <tr><td>4 PLC</td><td>± -</td></tr> </table>		0 PLC			± 0.50	1 PLC	± 0.30	2 PLC	± 0.20	3 PLC	± 0.15	4 PLC
0 PLC	± 0.50											
1 PLC	± 0.30											
2 PLC	± 0.20											
3 PLC	± 0.15											
4 PLC	± -											
THIRD ANGLE PROJECTION (第三视角)		WEIGHT (产品重量)	SIZE (尺寸) A4	DRAWING No. (图号) C=YL-ED-XXXXX								
CUSTOMER DRAWING (业务图)			SCALE (比例) 1 : 1	SHEET (页码) 1 OF 1								



XX 标注为重点管控尺寸



P.C.B LAYOUT



◆ 技术参数/Technical parameters

- 符合规范/Accord With Norm :EIA-364C
- 额定电流/Current Rating :7AMP
- 绝缘阻抗/Insulator Resistance :1000MΩ Min.
- 接触阻抗/Contact Resistance :20mΩ Max.
- 耐电压值/Voltage Resistance :AC 500V
- 工作温度/Operating Temperature :-40°C To +105°C
- 金属材料/Metallic Material :Brass
- 金属处理/Metal Treatment :Ni(30~50u") + Sn120u"
- 绝缘材料/Insulator Material :PA6T +30%GF UL94V-0
- 耐焊接热/Resistance To Soldering Heat :260° C ±5° C 10S MAX

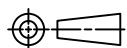
PIN数	DIM A	DIM B
2P	3.96	7.92
3P	7.92	11.88
4P	11.88	15.84
5P	15.84	19.80
6P	19.80	23.76
7P	23.76	27.72
8P	27.72	31.68
9P	31.68	35.64
10P	35.64	39.60
11P	39.60	43.56
12P	43.56	47.52
13P	47.52	51.48
14P	51.48	55.44
15P	55.44	59.40

LTR (版本)	DESCRIPTION (变更内容描述)	DATE (日期)	DWN (绘图)	APVD (核准)
A2	新增1*4P规格	2019\02\14	杨磊	
A1	新增1*6P规格	2019\01\23	杨磊	
A	RELEASED	2018\12\18	杨磊	

REVISIONS (修订)

THIS DRAWING IS A CONTROLLED DOCUMENT.  
(此图为宇亮公司受控文件)

DIMENSIONS: (单位)  
mm



THIRD ANGLE PROJECTION  
(第三视角)

TOLERANCES UNLESS OTHERWISE SPECIFIED:  
(自由公差参照)

- 0 PLC ± 0.20
- 1 PLC ± 0.15
- 2 PLC ± 0.10
- 3 PLC ± 0.05
- 4 PLC ± -
- ANGLES ± 3°  
(角度公差)

DWN (绘图)	2019\02\14
CHEK (审核)	2019\02\14
APVD (核准)	2019\02\14
PRODUCT SPEC (产品规范)	-
WEIGHT (产品重量)	-
ASSMBLE DRAWING (组装图)	

东莞市宇亮电子有限公司

DONG GUAN YU LIANG ELECTRONICS CO., LTD

NAME (品名)

Wafer3.96\*4.2 1\*NP SQ18.7/3.4(0)/7.5 R/A Sn PA6T 本色

SIZE (尺寸)

A4

DRAWING No. (图号)

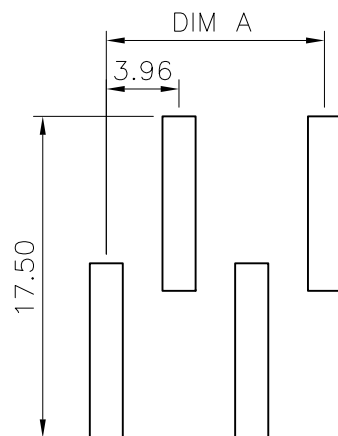
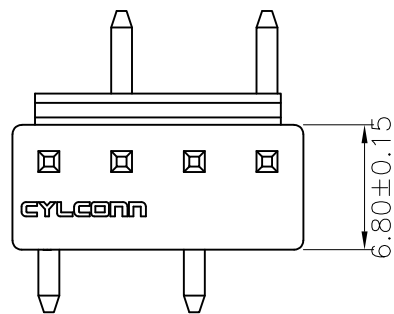
P = YL-ED-01598

SCALE (比例)

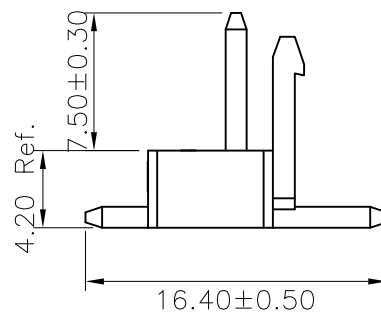
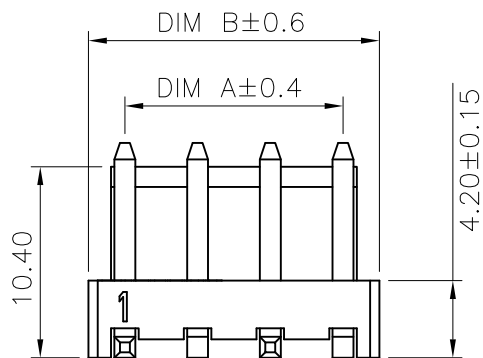
1 : 1

SHEET (张数)

1 of 1



P.C.B LAYOUT



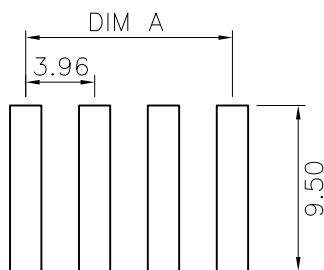
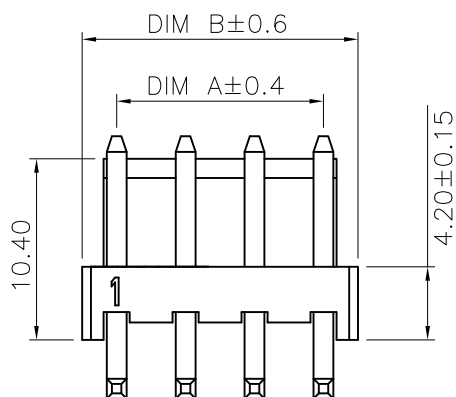
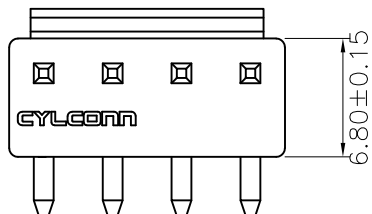
## ◆ 技术参数/Technical parameters

- 符合规范/Accord With Norm :EIA-364C
- 额定电流/Current Rating :7AMP
- 绝缘阻抗/Insulator Resistance :1000MΩ Min.
- 接触阻抗/Contact Resistance :20mΩ Max.
- 耐电压值/Voltage Resistance :AC 500V
- 工作温度/Operating Temperature :-40°C To +105°C
- 金属材料/Metallic Material :Brass
- 金属处理/Metal Treatment :Ni(30~50u")+ Sn120u"
- 绝缘材料/Insulator Material :PA6T BK +30%GF UL94V-0
- 耐焊接热/Resistance To Soldering Heat :260° C ±5° C 10S MAX

PIN数	DIM A	DIM B
2P	3.96	7.92
3P	7.92	11.88
4P	11.88	15.84
5P	15.84	19.80
6P	19.80	23.76
7P	23.76	27.72
8P	27.72	31.68
9P	31.68	35.64
10P	35.64	39.60
11P	39.60	43.56
12P	43.56	47.52
13P	47.52	51.48
14P	51.48	55.44
15P	55.44	59.40

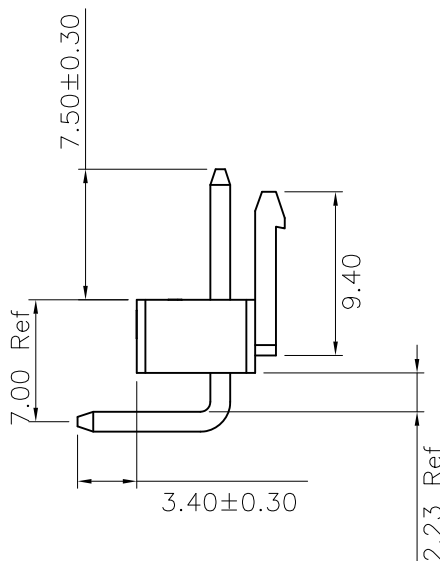
A	RELEASED	2018\11\12	杨磊	
LTR (版本)	DESCRIPTION (变更内容描述)	DATE (日期)	DWN (绘图)	APVD (核准)
REVISIONS (修订)				

THIS DRAWING IS A CONTROLLED DOCUMENT. (此图为宇亮公司受控文件)		DWN (绘图)	2018\11\12	东莞市宇亮电子有限公司 DONG GUAN YU LIANG ELECTRONICS CO., LTD	
DIMENSIONS: (单位) mm		CHEK (审核)	2018\11\12		
TOLERANCES UNLESS OTHERWISE SPECIFIED: (自由公差参照)		APVD (核准)	2018\11\12	WAFER3.96*4.2 1*NP SQ18.7/16.4(0)/7.5 SMT Sn PA6T 直靠背	
THIRD ANGLE PROJECTION (第三视角)		PRODUCT SPEC (产品规范)		SIZE (尺寸)	DRAWING No. (图号)
		WEIGHT (产品重量)		A4	YL-ED-XXXXX
CUSTOMER DRAWING (业务图)			SCALE (比例)	1 : 1	SHEET (张数)
			1 OF 1		



P.C.B LAYOUT

A	RELEASED	2018\11\12	杨磊
LTR (版本)	DESCRIPTION (变更项目描述)	DATE (日期)	DWN (绘图) APVD (核准)
REVISIONS (修订)			



## ◆ 技术参数/Technical parameters

- 符合规范/Accord With Norm :EIA-364C
- 额定电流/Current Rating :7AMP
- 绝缘阻抗/Insulator Resistance :1000MΩ Min.
- 接触阻抗/Contact Resistance :20mΩ Max.
- 耐电压值/Voltage Resistance :AC 500V
- 工作温度/Operating Temperature :-40℃ To +105℃
- 金属材料/Metallic Material :Brass
- 金属处理/Metal Treatment :Ni(30~50u")+ Sn120u"
- 绝缘材料/Insulator Material :PA6T BK +30%GF UL94V-0
- 耐焊接热/Resistance To Soldering Heat :260° C ±5° C 10S MAX

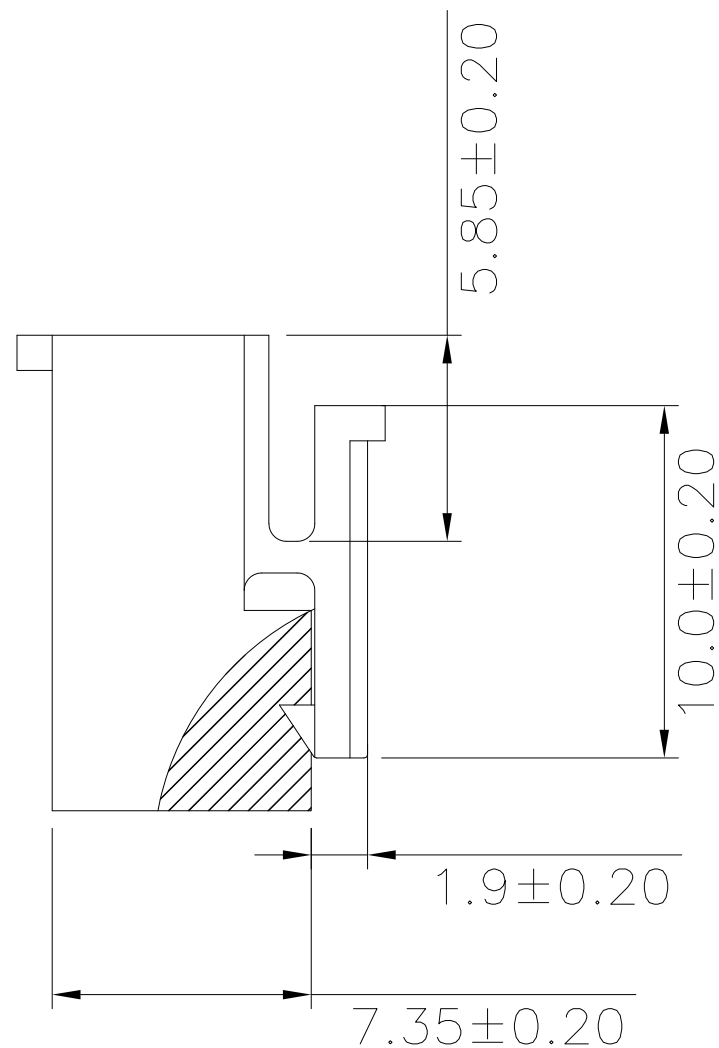
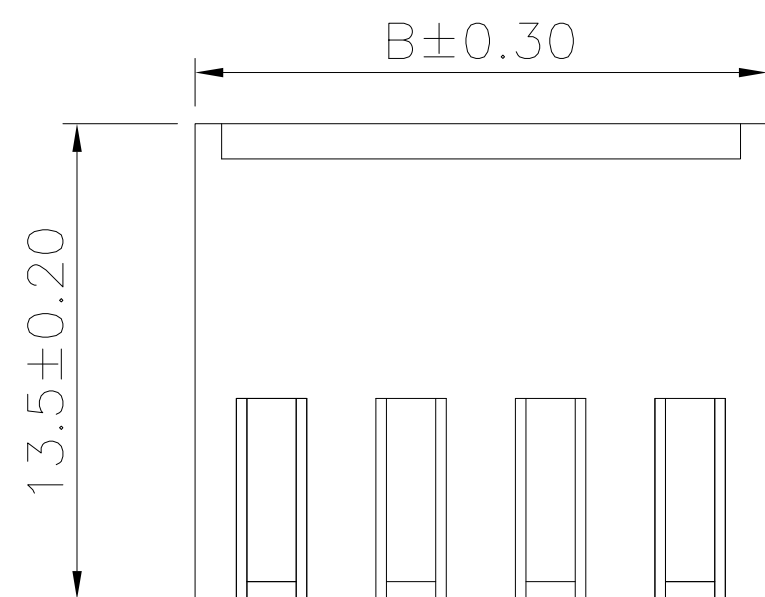
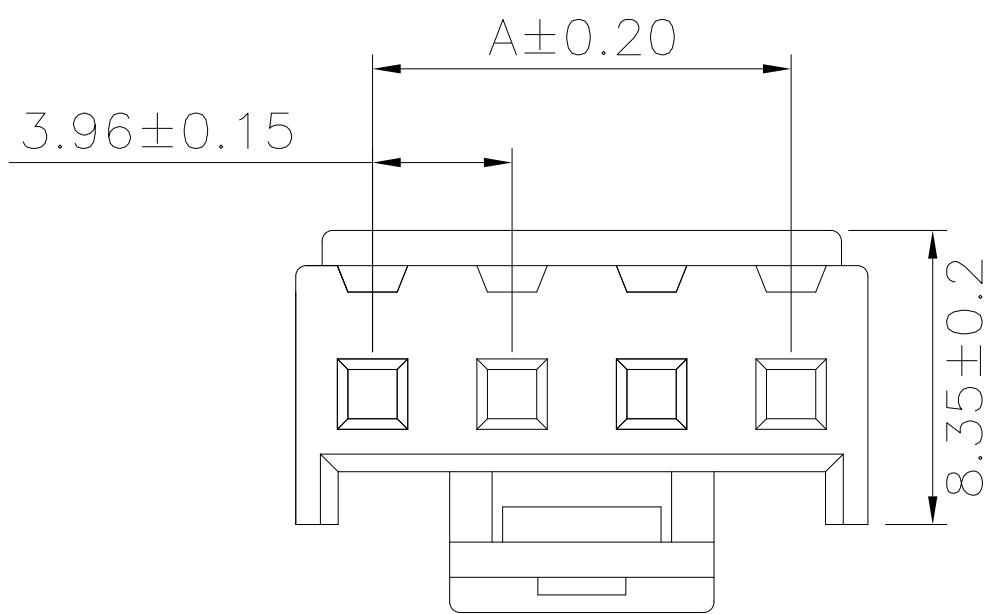
PIN数	DIM A	DIM B
2P	3.96	7.92
3P	7.92	11.88
4P	11.88	15.84
5P	15.84	19.80
6P	19.80	23.76
7P	23.76	27.72
8P	27.72	31.68
9P	31.68	35.64
10P	35.64	39.60
11P	39.60	43.56
12P	43.56	47.52
13P	47.52	51.48
14P	51.48	55.44
15P	55.44	59.40

THIS DRAWING IS A CONTROLLED DOCUMENT. (此图为宇亮公司受控文件)		DWN (绘图) 杨磊	2018\11\12	东莞市宇亮电子有限公司 DONG GUAN YU LIANG ELECTRONICS CO., LTD	
DIMENSIONS: (单位) mm		CHEK (审核)	2018\11\12	NAME (品名) WAFER3.96*4.2 1*NP S022.0/3.4(2.23)/7.5 R/A Sn PA6T 本色直靠背	
TOLERANCES UNLESS OTHERWISE SPECIFIED: (自由公差参照)		APVD (核准)	2018\11\12	SIZE (尺寸) DRAWING No. (图号) A4 C=YL-ED-XXXXX	
THIRD ANGLE PROJECTION (第三视角)		PRODUCT SPEC (产品规格)		SCALE (比例) 1 : 1 SHEET (页码) 1 of 1	
0 PLC ± 0.50 1 PLC ± 0.30 2 PLC ± 0.20 3 PLC ± 0.15 4 PLC ± 1		WEIGHT (产品重量)		CUSTOMER DRAWING (业务图)	
ANGLES (角度公差) ± 3°					



### ◆ 技术参数/Technical parameters

- 符合规范/Accord With Norm :EIA-364C
- 额定电流/Current Rating :7AMP
- 绝缘阻抗/Insulator Resistance :1000MΩ Min.
- 接触阻抗/Contact Resistance :20mΩ Max.
- 耐电压值/Voltage Resistance :AC 500V
- 工作温度/Operating Temperature :-40°C To +105°C
- 绝缘材料/Insulator Material :PA66 BK +30%GF UL94V-0
- 耐焊接热/Resistance To Soldering Heat :240° C ±5° C 10S MAX



PIN NO.	DIMENSION	
	A	B
2	3.96	8.32
3	7.92	12.28
4	11.88	16.24
5	15.84	20.20
6	19.80	24.16
7	23.76	28.12
8	27.72	32.08
9	31.68	36.04
10	35.64	40.00
11	39.60	43.96
12	43.56	47.92
13	47.52	51.88
14	51.48	59.80
15	55.44	59.80
16	59.40	63.76

A	RELEASED	2018\11\12	杨磊	
LTR (版本)	DESCRIPTION (变更内容描述)	DATE (日期)	DWN (绘图)	APVD (核准)
REVISIONS (修订)				

THIS DRAWING IS A CONTROLLED DOCUMENT. (此图为宇亮公司受控文件)		DWN (绘图) 2018\11\12 <b>杨磊</b>	<b>东莞市宇亮电子有限公司</b> DONG GUAN YU LIANG ELECTRONICS CO.,LTD	
DIMENSIONS: (单位) mm		CHEK (审核) 2018\11\12		
 THIRD ANGLE PROJECTION (第三视角)		TOLERANCES UNLESS OTHERWISE SPECIFIED: (自由公差参照)		NAME (品名)
		0 PLC ± 0.50 1 PLC ± 0.30 2 PLC ± 0.20 3 PLC ± 0.15 4 PLC ± - ANGLES (角度公差) ± 3°		<b>WAFER3.96 HOUSING PA66 白色</b>
		APVD (核准) 2018\11\12	PRODUCT SPEC (产品规范)	SIZE (尺寸) A4
		WEIGHT (产品重量)	DRAWING No. (图号) <b>YL-ED-XXXXX</b>	
		CUSTOMER DRAWING (业务图)		SCALE (比例) 1 : 1
				SHEET (页码) 1 OF 1

5 4 3 2 1

◆ 技术参数/Technical parameters

- 符合规范/Accord With Norm :EIA-364C
- 额定电流/Current Rating :7AMP
- 绝缘阻抗/Insulator Resistance :1000MΩ Min.
- 接触阻抗/Contact Resistance :20mΩ Max.
- 耐电压值/Voltage Resistance :AC 500V
- 工作温度/Operating Temperature :-40℃ To +105℃
- 金属材料/Metallic Material :Brass
- 金属处理/Metal Treatment :Ni (30~50u") +Sn (80~120u")

Wire Range	Insulation O.D.	Material	Finish	Qty/reel
AWG#18-#22	3.00mm(max)	Brass	Tin over Nickel	3,000 PCS

A	RELEASED	2018\11\12	杨磊	
LTR (版本)	DESCRIPTION (变更内容描述)	DATE (日期)	DWN (绘图)	APVD (核准)
REVISIONS (修订)				

THIS DRAWING IS A CONTROLLED DOCUMENT. (此图为宇亮公司受控文件)		DWN (绘图) 杨磊	2018\11\12	<b>东莞市宇亮电子有限公司</b> DONG GUAN YU LIANG ELECTRONICS CO.,LTD		
DIMENSIONS: (单位) mm	TOLERANCES UNLESS OTHERWISE SPECIFIED: (自由公差参照)	CHEK (审核)	2018\11\12			NAME (品名)
THIRD ANGLE PROJECTION (第三视角)	0 PLC ± 0.50 1 PLC ± 0.30 2 PLC ± 0.20 3 PLC ± 0.15 4 PLC ± -  ANGLES ± 3°	APVD (核准)	2018\11\12			3.96mm pitch Crimp Terminal
		PRODUCT SPEC (产品规范)		SIZE (尺寸)	DRAWING No. (图号)	
		WEIGHT (产品重量)		A4	© YL-ED-XXXXX	
CUSTOMER DRAWING (业务图)				SCALE (比例)	SHEET (页码)	
				1 : 1	1 OF 1	

TEL:0769-83710858 FAX:0769-83710918 Http://www.dgyuliang.com