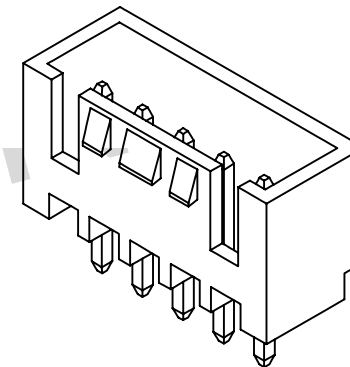
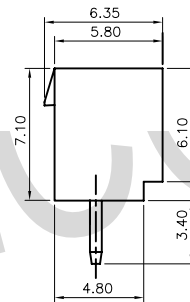
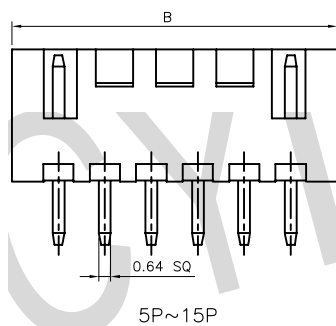
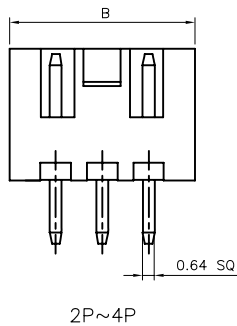
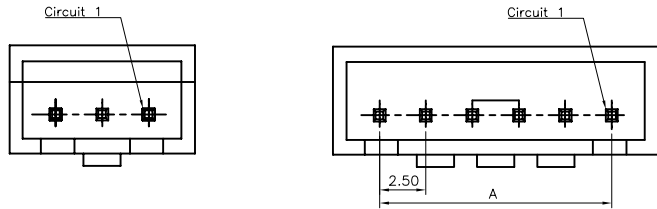
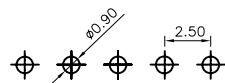




REVISIONS				
LTR	DESCRIPTION	DATE	DWN	APVD
A	RELEASED	25Jan16	AW	WK



PIN NO.	Dimensions	
	A	B
2P	2.50	7.50
3P	5.00	10.00
4P	7.50	12.50
5P	10.00	15.00
6P	12.50	17.50
7P	15.00	20.00
8P	17.50	22.50
9P	20.00	25.00
10P	22.50	27.50
11P	25.00	30.00
12P	27.50	32.50
13P	30.00	35.00
14P	32.50	37.50
15P	35.00	40.00



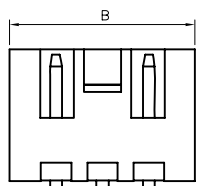
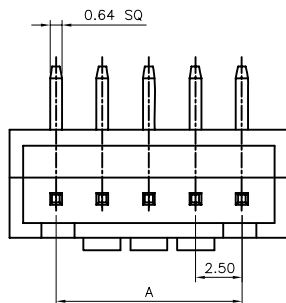
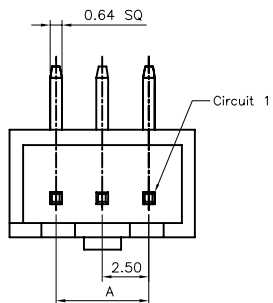
TOLERANCE:  $\pm 0.05$ , THICKNESS: 1.6mm  
RECOMMENDED PCB LAYOUT  
 (TOP VIEW)

THIS DRAWING IS A CONTROLLED DOCUMENT.		DWN A. WU	25Jan2016	<b>东莞市宇亮电子有限公司</b> DONG GUAN YU LIANG ELECTRONICS CO.,LTD	
DIMENSIONS: mm		CHEK S. CHIEN	25Jan2016		
THIRD ANGLE PROJECTION		APVD Abel	25Jan2016	NAME 2.50mm pitch WAFER 180° TYPE	
TOLERANCES UNLESS OTHERWISE SPECIFIED: 0 PLC $\pm 0.50$ 1 PLC $\pm 0.30$ 2 PLC $\pm 0.20$ 3 PLC $\pm 0.15$ 4 PLC $\pm -$ ANGLES $\pm 3^\circ$		PRODUCT SPEC —	—	SIZE A4	DRAWING No. YLO28-XXX
—		WEIGHT —	—	CUSTOMER DRAWING SCALE 1 : 1 SHEET 1 of 1	

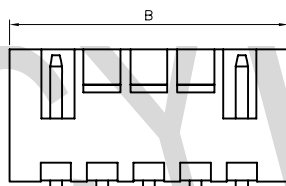
NOTE :  
 1. MATERIAL:  
 HOUSING: PA66, UL 94V-0/V-2, WHITE COLOR .  
 TERMINAL: BRASS.  
 2. FINISH:  
 TERMINAL: 80u" MIN. TIN OVER 30u" MIN. NICKEL ON ENTIRE POST.  
 3. SPECIFICATION NOTES:  
 CONTACT RESISTANCE: 20 milliohms MAX.  
 CURRENT RATING: 3A .  
 DIELECTRIC WITHSTANDING VOLTAGE: 500V.



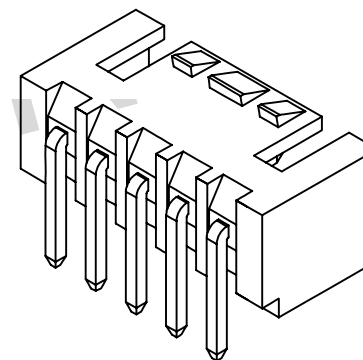
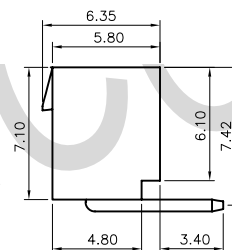
REVISIONS				
LTR	DESCRIPTION	DATE	DWN	APVD
A	RELEASED	25Jan16	AW	WK



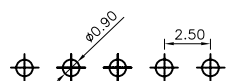
2P~4P



5P~15P



PIN NO.	Dimensions	
	A	B
2P	2.50	7.50
3P	5.00	10.00
4P	7.50	12.50
5P	10.00	15.00
6P	12.50	17.50
7P	15.00	20.00
8P	17.50	22.50
9P	20.00	25.00
10P	22.50	27.50
11P	25.00	30.00
12P	27.50	32.50
13P	30.00	35.00
14P	32.50	37.50
15P	35.00	40.00



TOLERANCE: ±0.05, THICKNESS: 1.6mm  
RECOMMENDED PCB LAYOUT  
 (TOP VIEW)

THIS DRAWING IS A CONTROLLED DOCUMENT.		DWN A. WU	25Jan2016	<b>东莞市宇亮电子有限公司</b> DONG GUAN YU LIANG ELECTRONICS CO.,LTD	
DIMENSIONS: mm		CHEK S. CHIEN	25Jan2016		
 THIRD ANGLE PROJECTION		APVD Abel		NAME 2.50mm pitch WAFER 90° TYPE	
		TOLERANCES UNLESS OTHERWISE SPECIFIED: 0 PLC ± 0.50 1 PLC ± 0.30 2 PLC ± 0.20 3 PLC ± 0.15 4 PLC ± - ANGLES ± 3°		PRODUCT SPEC -	
		WEIGHT -		SIZE A4	DRAWING No. YL028-XXX
CUSTOMER DRAWING				SCALE 1 : 1	SHEET 1 OF 1

NOTE :  
 1. MATERIAL:  
 HOUSING: PA66, UL 94V-0/V-2, WHITE COLOR .  
 TERMINAL: BRASS.  
 2. FINISH:  
 TERMINAL: TIN OVER NICKEL.  
 3. SPECIFICATION NOTES:  
 CONTACT RESISTANCE: 20 milliohms MAX.  
 CURRENT RATING: 3A .  
 DIELECTRIC WITHSTANDING VOLTAGE: 500V.



REVISIONS

LTR	DESCRIPTION	DATE	DWN	APVD
A	RELEASED	25Jan16	AW	WK

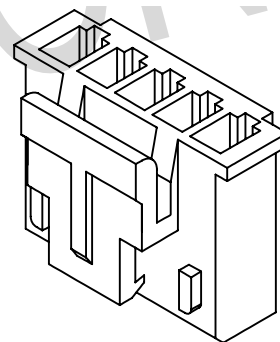
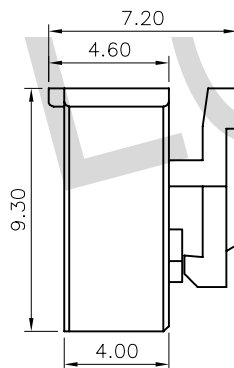
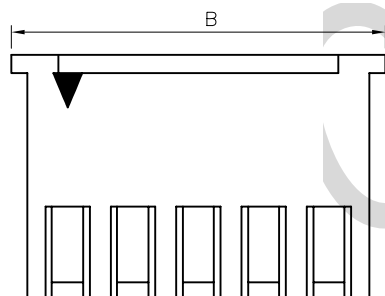
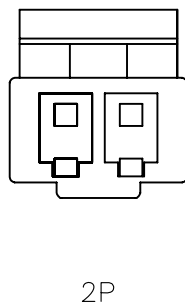
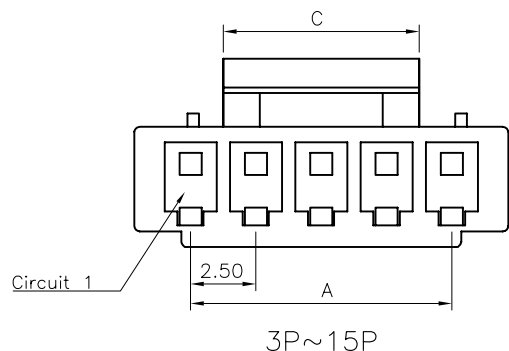
NOTE :

1. MATERIAL:

HOUSING: PA66, UL 94V-0/V-2, WHITE COLOR .

2. SPECIFICATION NOTES:

CONTACT RESISTANCE: 20 milliohms MAX.



PIN NO.	Dimensions		
	A	B	C
2P	2.50	6.80	5.00
3P	5.00	9.30	5.00
4P	7.50	11.80	5.00
5P	10.00	14.30	7.50
6P	12.50	16.80	10.00
7P	15.00	19.30	12.50
8P	17.50	21.80	15.00
9P	20.00	24.30	17.50
10P	22.50	26.80	20.00
11P	25.00	29.30	22.00
12P	27.50	31.80	22.50
13P	30.00	34.30	22.50
14P	32.50	36.80	25.00
15P	35.00	39.30	27.50

THIS DRAWING IS A CONTROLLED DOCUMENT.		DWN A. WU	25Jan2016	东莞市宇亮电子有限公司 DONG GUAN YU LIANG ELECTRONICS CO.,LTD	
DIMENSIONS: mm		CHEK S. CHIEN	25Jan2016		
TOLERANCES UNLESS OTHERWISE SPECIFIED:		APVD Abel	25Jan2016	NAME 2.5mm pitch Housing TYPE	
<p>THIRD ANGLE PROJECTION</p>		PRODUCT SPEC —	—	SIZE A4	DRAWING No. YL028-XXX
0 PLC ± 0.50 1 PLC ± 0.30 2 PLC ± 0.20 3 PLC ± 0.15 4 PLC ± — ANGLES ± 3°		WEIGHT —	—	CUSTOMER DRAWING	
			SCALE	1 : 1	SHEET 1 OF 1

5

4

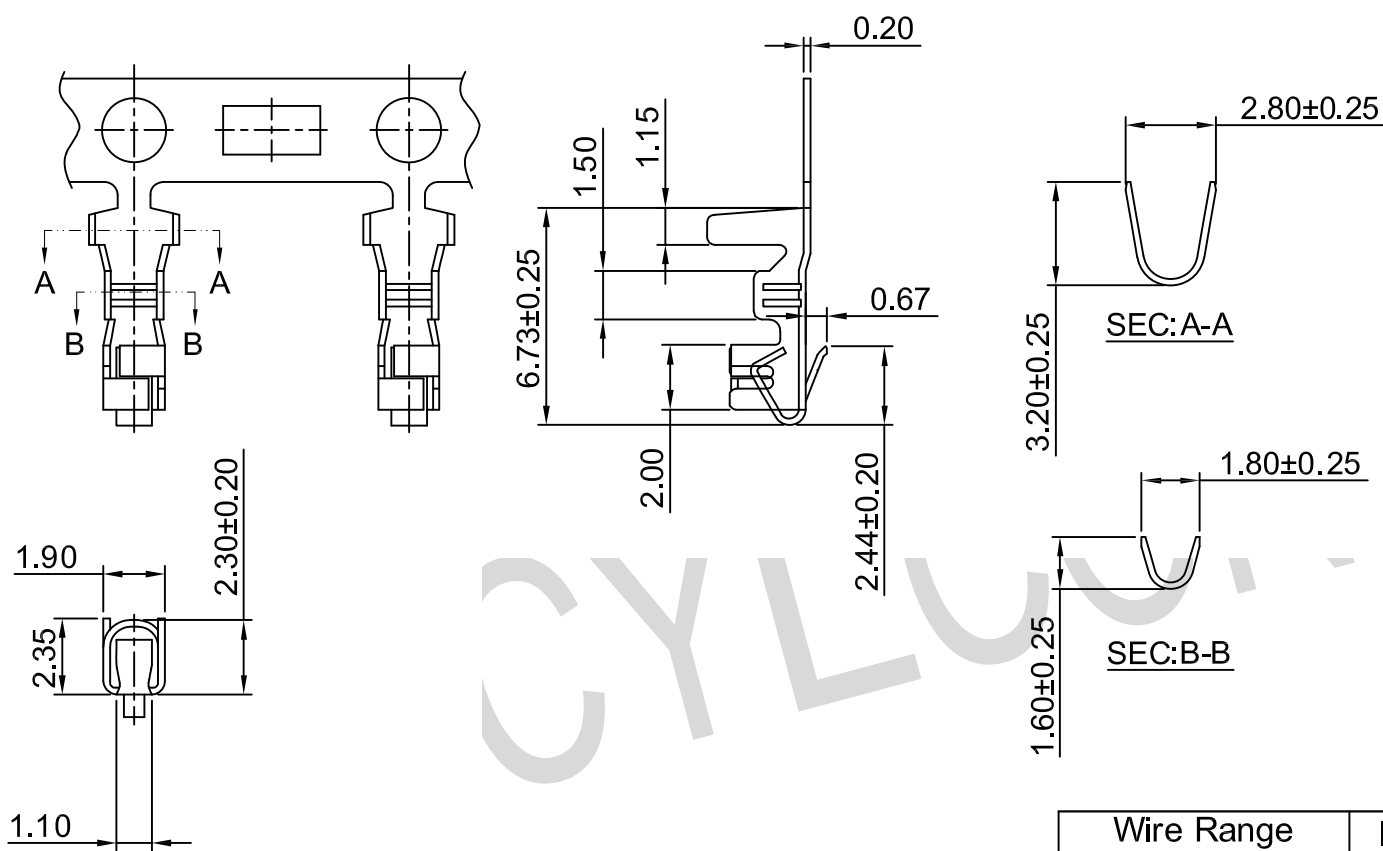
3

2

1



REVISIONS				
LTR	DESCRIPTION	DATE	DWN	APVD
A	RELEASED	25Jan16	AW	WK



NOTE :  
 1. TERMINAL: BRASS.  
 2. FINISH:  
 TERMINAL: Tin plated

Wire Range	Insulation O.D.	Qty/reel
AWG#22-#28	1.90mm(max)	8,000 PCS

THIS DRAWING IS A CONTROLLED DOCUMENT.		DWN A. WU	25Jan2016	东莞市宇亮电子有限公司 DONG GUAN YU LIANG ELECTRONICS CO.,LTD	
DIMENSIONS: mm		CHEK S. CHIEN	25Jan2016		
TOLERANCES UNLESS OTHERWISE SPECIFIED:		APVD Abel	25Jan2016	NAME 2.5WAFER SN BRASS	
THIRD ANGLE PROJECTION		PRODUCT SPEC	—	SIZE A4	DRAWING No. YL028-057
0 PLC ± 0.50 1 PLC ± 0.30 2 PLC ± 0.20 3 PLC ± 0.15 4 PLC ± — ANGLES ± 3°		WEIGHT	—	CUSTOMER DRAWING	
		SCALE 1 : 1		SHEET 1 of 1	